

Ball check valve
flanged

PN10
PN16

SEWAGE

WATER



Ball check valve 6516 DN100



Ball check valve 6516 DN500

Product description (standard execution):

- Straight full bore
- Simple and compact design – high durability
- Flange connection according to EN 1092-2 (DIN 2501) pressure PN10; PN16
- Face to face row 48 according to EN 558-1 (DIN3202)
- Body and bonnet made of ductile cast iron EN-GJS 400-15, EN 1563 (DIN 1693)
- NBR/EPDM fully galvanized bowl (made of aluminum alloy or cast iron)
- Body-bonnet o-ring gasket: NBR/EPDM
- Product intended for use in the pump system installations to flow cut
- Epoxy coating minimum 250 microns according to EN ISO 12944- 5
- Body bonnet Zinc coated or stainless steel screws protected by wax or plastic caps
- Products according to EN 12050-1
- Products 6516 designed for use in pumping/pressurized installations
- Products 6526 designed for use in gravity based installations
- Products marking according to EN 19; EN 1074

Application:

Water and sewage networks and tanks. Transport of non aggressive liquids.
Working conditions:
temp. up +70°C
working pressure up to 1.6 MPa

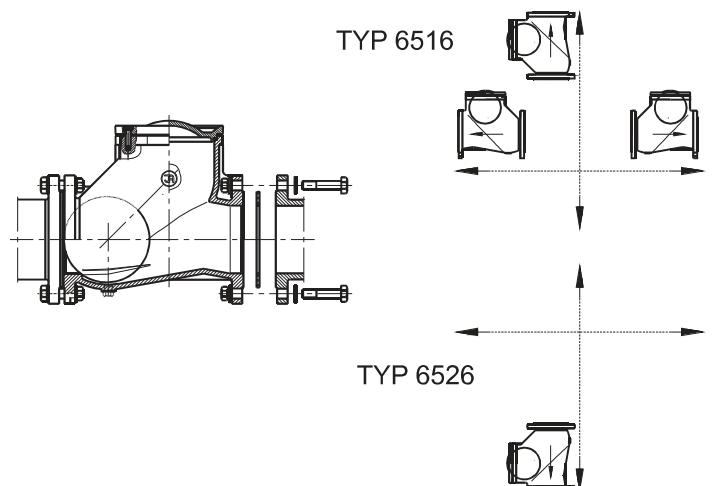
Test control:

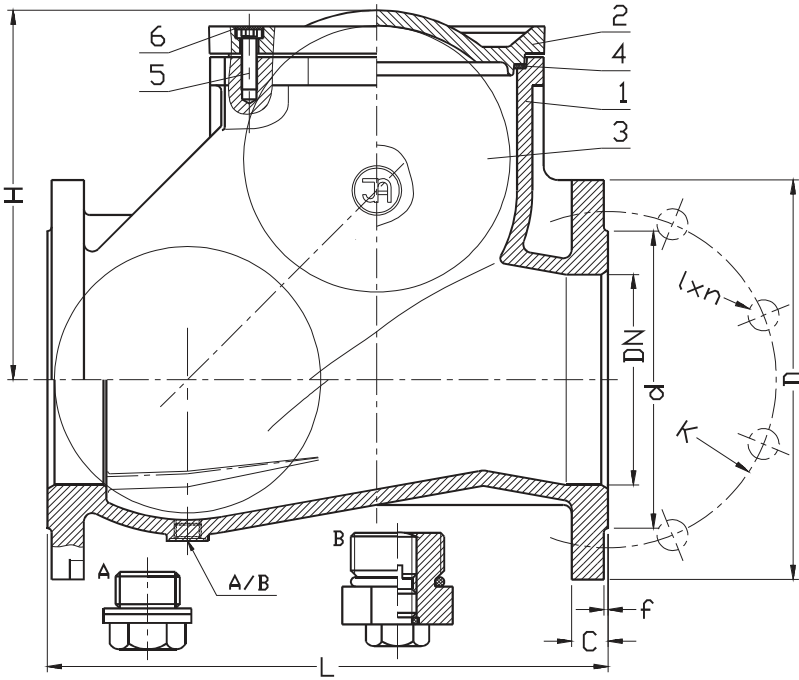
Water pressure test according to EN 1074-1; EN 1074-2; EN 12266-1
Seat: 0,5 to 1,1 xPN
Body: 1,5 x PN

Execution variant:

SS body bonnet screws
With drain plug (A)
With drain plug with vent mechanism (B)

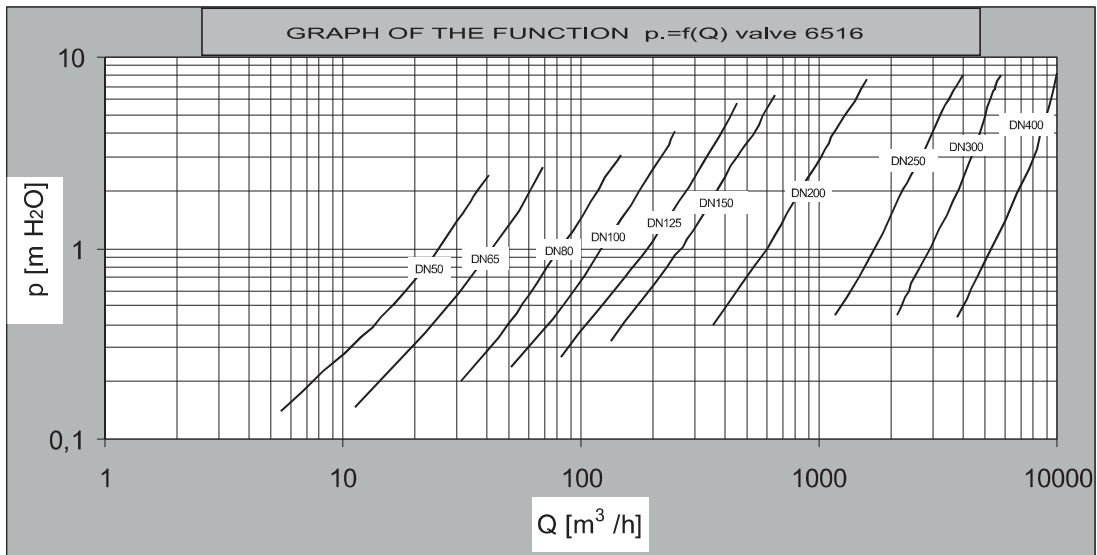
Installation:





No.	Part	Standard execution
1	Body	Ductile cast iron EN-GJS-400-15 EN 1563
2	Bonnet	Ductile cast iron EN-GJS-400-15 EN 1563
3	Ball	Ductile cast iron EN-GJS-400-15 EN 1563 Aluminium AISi EN 1706 Rubber NBR or EPDM EN-ISO 1629
4	Gasket	Rubber NBR or EPDM EN-ISO 1629
5	Screw	Steel Fe/Zn5 Stainless steel EN ISO 4762
6	Screw stopper	Wax

- other material variants on special request



DN	PN	L row 48	H	d	D	K	I	C	f	n	Weight	Weight	
[mm]	[bar]	[mm]									-	6516 [kg]	6526 [kg]
50	PN16	200	113	102	165	125	19	20	3	4	8	8	
65		240	126	122	185	145	19	20	3	4	13	12	
80		260	162	138	200	160	19	22	3	8	17	17	
100		300	194	158	220	180	19	24	3	8	24	22	
125		350	214	188	250	210	19	22	3	8	34	33	
150		400	260	212	285	240	23	26	3	8	52	48	
200		500	320	268	340	295	23	22	3	12	83	74	
250	600	365	320	405	350	23	30	3	12	136	106		
300	700	427	378	460	400	23	30	4	12	229	203		
350	PN10	800	427	429	520	460	23	32	4	16	260	237	
400		900	537	480	580	515	28	32	4	16	395	-	
500		1100	650	582	670	620	28	34	4	20	560	-	

We reserve the rights to modify the production program and the given data without separate notices due to the permanent company development