

**Concentric butterfly valve**  
LUG

PN10  
PN16

**WATER**



Butterfly valve DN100

### Product description (standard execution):

- Concentric disc made of ductile cast iron EN-GJS 400-15 or stainless steel
- Stainless steel solid spline (not pinned) shaft with the bottom side seated in blind hole of the body
- O-ring spindle sealing protected against contact with medium
- Centering slide bearing shaft made of bronze or PTFE
- Special shaped loose liner to seal with the shaft crossing
- NBR loose liner
- Epoxy coating minimum 250 microns according to EN ISO 12944-5
- Medium flow regulation design
- Body made of ductile cast iron EN-GJS 400-15
- Connection flange mounting according to EN 1092-2, pressure PN10 or PN16
- Actuator connector according to ISO 5211
- Face to face according to EN 558-A1 row 20 (DIN 3202)
- Product according to EN-593
- Product marking according to EN 19; EN 1074

### Application:

Water network and tanks. Transport of industrial water and non aggressive liquids.  
Working conditions:  
temp. up to +70°C  
pressure up to 1.6 MPa.

### Test control:

Hydraulic test according to EN 1074-1; EN 1074-2; EN 12266-1  
Seat: 1,1 xPN  
Body: 1,5 x PN  
Operation torque test.

### Accessories:

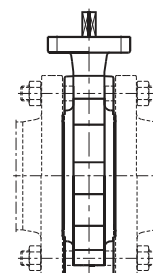
Extension spindle - see: 9010, 9011  
Pillar with handwheel - see: 9113  
Pillar for electric actuator - see: 9114  
Street box - see: 9501

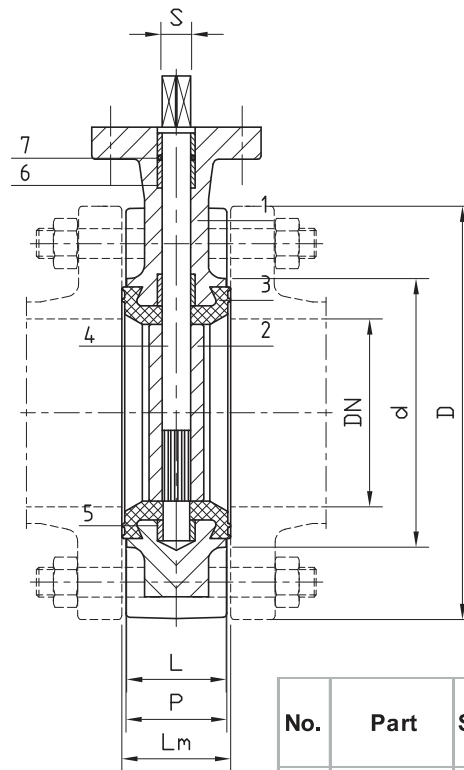
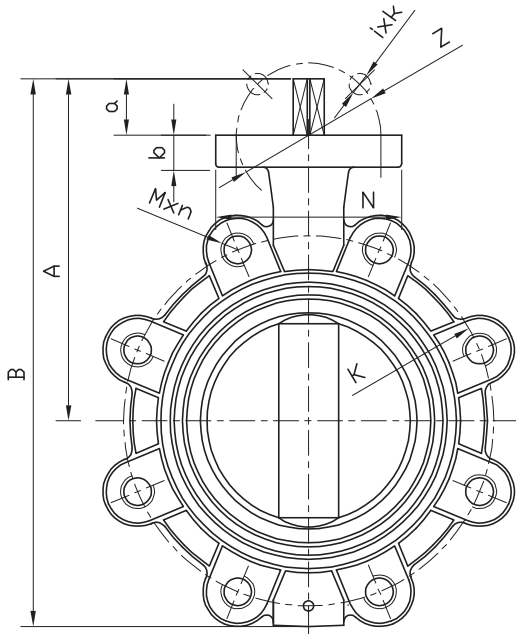
### Execution variant:

With inductive sensors  
With electric or pneumatic actuators

### Installation:

Up to DN250 in any position. Over DN250 actuator from the side shaft in horizontal position.





No.	Part	Standard execution
1	Body	Ductile cast iron EN-GJS-400-15 EN1563
2	Disc	Ductile cast iron EN-GJS-400-15 EN 1563 Stal 1.4301 EN 10088-1
3	Ring	Rubber NBR EN ISO 1629
4	Shaft	Stainless steel 1.4021 EN 10088-1
5, 6	Sleeve	Brass CuZn37 EN 1982 PTFE
7	O-ring	Rubber NBR EN ISO 1629

- other material variants on special request

DN	PN	L	Lm	P	A	B	d	D		K		M		n		i	k	N	z	S	a	Weight
								PN10	PN16	PN10	PN16	PN10	PN16	PN10	PN16							
[mm]	[bar]	[mm]															[szt]	[mm]				[kg]
40	10 16	33	36	30	121	183	76	150	110	M16	4	4	4	7	70	50	11	28	3,2			
50		43	46	40	137	203	92	165	125	M16	4	4	4	7	70	50	11	28	4,4			
65		46	49	43	150	228	106	185	145	M16	4	4	4	7	70	50	11	28	5,8			
80		46	49	42	160	245	114	200	160	M16	8	4	4	9	90	70	11	30	7,1			
100		52	55	47	182	280	143	220	180	M16	8	4	4	9	90	70	14	30	8,1			
125		56	59	54	207	328	170	250	210	M16	8	4	4	9	90	70	14	30	20,5			
150		56	59	54	223	357	203	285	240	M20	8	4	4	9	90	70	17	30	23			
200		60	63	57	255	418	252	340	295	M20	8	12	4	9	90	70	17	30	27			
250		68	72	65	314	510	306	395	405	350	355	M20	M24	12	12	4	12	125	102	22	40	41
300		78	82	75	342	564	364	445	460	400	410	M20	M24	12	12	4	12	125	102	22	45	56
350		78	82	74	365	640	431	505	520	460	470	M20	M24	16	16	4	14	125	102	22	45	82
400		102	106	96	410	725	480	565	580	515	525	M24	M27	16	16	4	14	175	140	27	60	134
500	127	131	120	490	866	590	670	715	620	650	M24	M30	20	20	4	22	175	140	36	65	191	
600	154	158	144	565	1031	688	780	840	725	770	M27	M33	20	20	4	22	210	165	36	65	266	

We reserve the rights to modify the production program and the given data without separate notices due to the permanent company development.