

**Double eccentric butterfly valve  
flanged**

**PN10  
PN16**

**WATER**



Butterfly valve DN500

### Product description (standard execution):

- Body and cover made of ductile cast iron EN-GJS 500-7
- Eccentric disc made of ductile cast iron EN-GJS 500-7
- Body sealing ring and pressure ring made of stainless steel 1.4301 (AISI 304)
- EPDM sealing placed on disc replaceable without disassembling the disc
- Centering slide bearing shaft made of bronze
- Anticorrosion protection - Epoxy coating minimum 250 microns according to EN ISO 12944-5
- Medium flow regulation design
- Stainless steel connecting bolts
- Flanges connection according to EN 1092-2 (DIN 2501) pressure PN10; PN16
- Actuator connector according to EN ISO 5211
- Face to face according to EN 558-A1, row 14 (DIN 3202)
- Product according to EN-593
- Product marking according to EN-19:2005; EN-1074:2002

### Application:

Water network and tanks. Transport of industrial water and non aggressive liquids.  
Working conditions:  
temp. up to +70°C  
pressure up to 1.6 MPa.

### Test control:

Hydraulic test according to EN 1074-1; EN 1074-2; EN 12266-1  
Seat: 1,1 xPN  
Body: 1,5 x PN  
Operation torque test.

### Accessories:

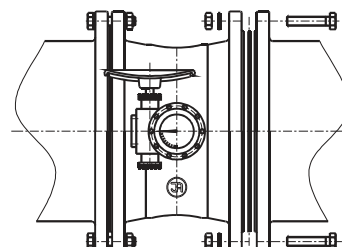
Extension spindle - see: 9010, 9011  
Pillar with handwheel - see: 9113  
Pillar for electric actuator - see: 9114  
Street box - see: 9501

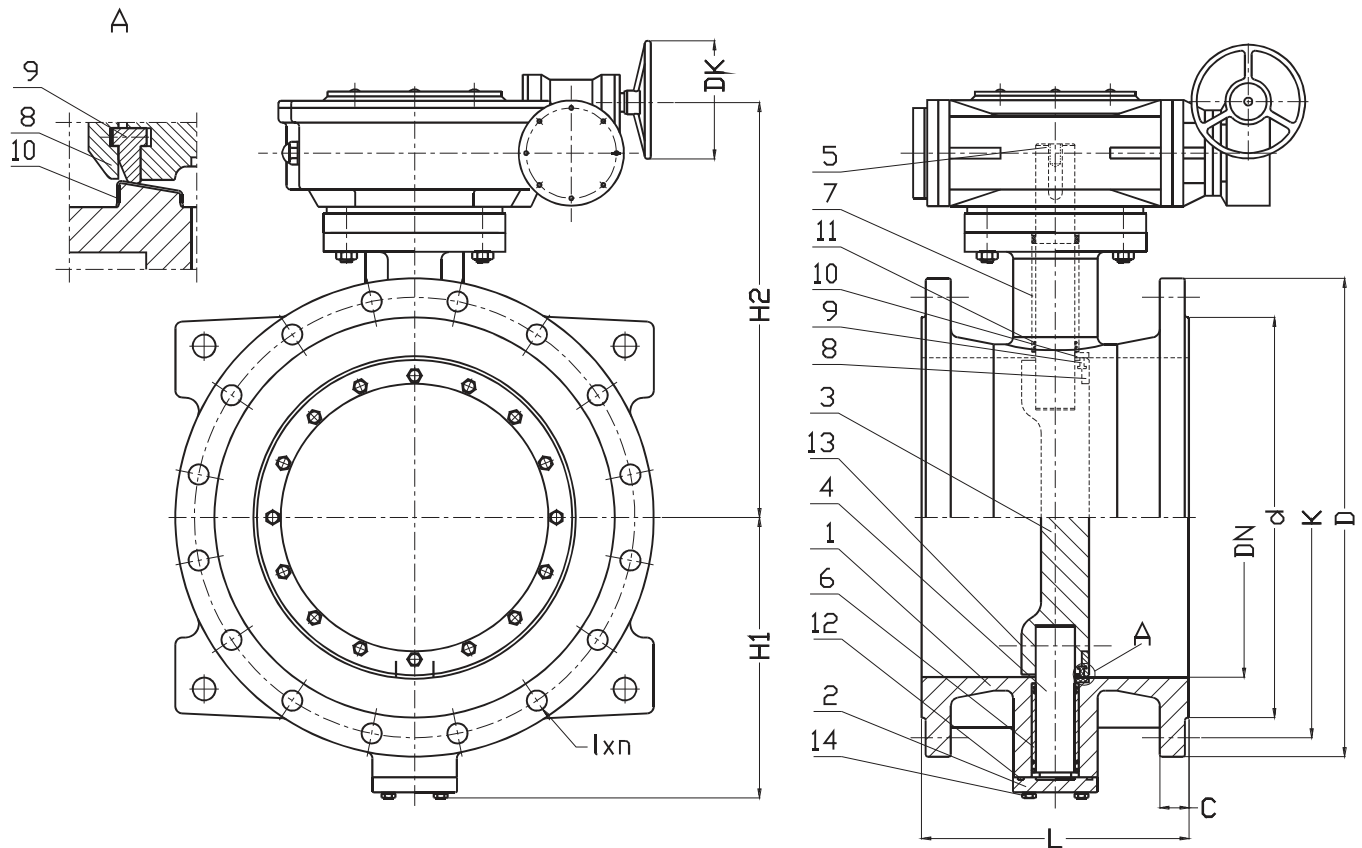
### Execution variant:

With by-pass from DN600  
With electric or pneumatic actuator  
With inductive sensors  
For extension spindle  
Other material variants on request!

### Installation:

Up to DN250 in any position. Over DN250 actuator from the side-shaft in horizontal position.  
Recommended assembly in accordance with direction of flow.





DN	L	D	K PN16 (PN10)	d	c	l x n PN16 (PN10)	H1	H2	DK	Weight
[mm]										[kg]
200	230	340	295	268	30	23x12(8)	180	308	250	52
250	250	405	355 (350)	320	32	28(23)x12	210	351	250	68,5
300	270	460	410 (400)	378	32	28(23)x12	240	401	250	86,4
350	290	520	470 (460)	438	36	28(23)x16	280	440	350	150,4
400	310	580	525 (515)	490	38	31(28)x16	300	463	400	187
450	330	640	585 (565)	548	40	31(28)x20	335	508	400	236
500	350	715	650 (620)	610	42	34(28)x20	380	583	500	254
600	390	840	770 (725)	725	48	37(31)x20	440	673	500	343
700	430	910	840	793	54	37(31)x24	490	736	500	537
750	470	975	900	844	54	37x24	530	790	500	614
800	470	1025	950	900	58	41(34)x24	570	822	500	691
900	510	1125	1050	1000	62	41(34)x24	625	935	500	775
1000	550	1255	1170 (1160)	1116	66	44(37)x28	700	985	500	1017
1100	630	1355	1270	1218	66	44(37)x32	760	1080	500	1240
1200	630	1485	1390 (1380)	1330	66	50(41)x32	820	1154	500	1470
1400	710	1685	1590	1530	66	50(44)x36	920	1235	500	4440
1600	790	1930	1820	1750	70	57(50)x40	1045	1415	500	5346
1800	870	2130	2020	1950	70	57(50)x44	1170	1684	500	6438
2000	950	2345	2230	2150	75	62(50)x48	1301	1725	500	11482

No.	Part	Standard execution I
1	Body	Ductile cast iron EN-GJS-500-7 EN 1563
2	Cover	Ductile cast iron EN-GJS-500-7 EN 1563
3	Disc	Ductile cast iron EN-GJS-500-7 EN 1563
4	Lower shaft	Stainless steel 1.4021 EN 10088-1
5	Upper shaft	Stainless steel 1.4021 EN 10088-1
6	Sleeve	Bronze CuSn5Zn5Pb5-C (B555) EN 1982 PTFE
7	Gland sleeve	Bronze CuSn5Zn5Pb5-C (B555) EN 1982 PTFE
8	Gland ring	Stainless steel 1.4301 EN 10088-1 Ductile cast iron EN-GJS-500-7 EN 1563
9	Disc sealing ring	Rubber EPDM EN ISO 1629
10	Body sealing ring	Stainless steel 1.4301 EN 10088-1 Ductile cast iron EN-GJS-500-7 EN 1563
11	Gasket	Rubber EPDM EN ISO 1629
12	O-ring	Rubber EPDM EN ISO 1629
13	Pin	Stainless steel 1.4021 EN 10088-1
14	Screw	Stainless steel EN ISO 4017

- other material variants on special request

We reserve the rights to modify the production program and the given data without separate notices due to the permanent company development.