

Air release valve
single and double orifice

PN10
PN16

WATER



7040
Single stage for potable water



7050
Double stage for potable water

Product description (standard execution):

7040

- Automatic air release in the whole pressure range
- Hydraulic impacts prevention
- Bonnet hole enables assembling of additional air valves
- Body bonnet made of pressed brass CuZn39Pb1Al-B; EN 1982
- Floating switch made of polyethylene
- Stainless steel release device set 1.4301
- Product according to EN 1074-4
- Threaded connection according EN 10226-1 pressure PN10, PN16

7050

- Two types of valves enabling double stage assembly
- 7010 for single stage operation
- 7040 for double stage operation

Application:

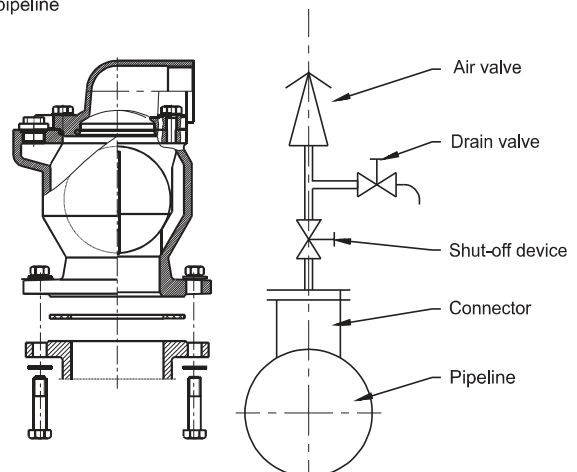
Air release valve intended for use at water lines - for air release and aeration of the pipelines. Working conditions:
temp. up +70°C

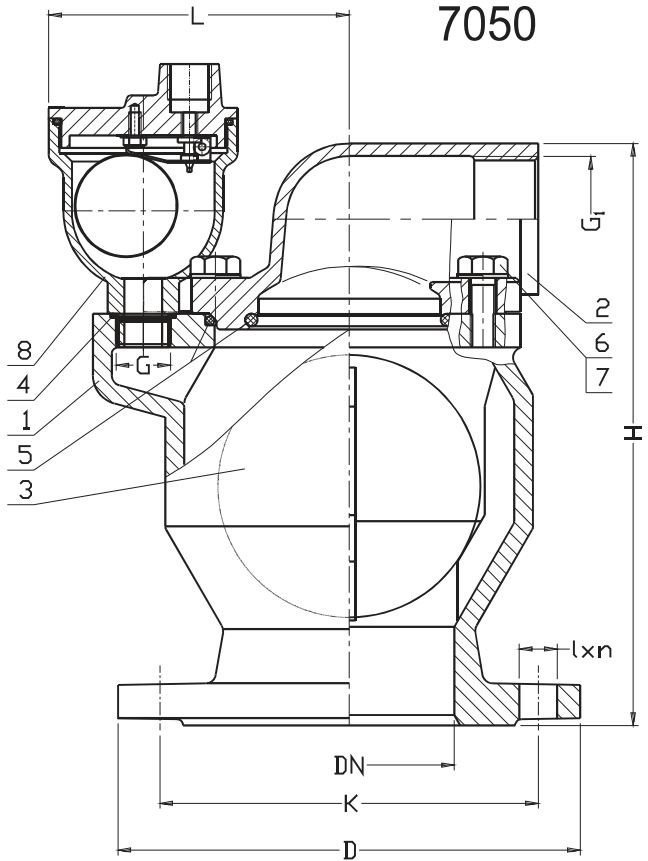
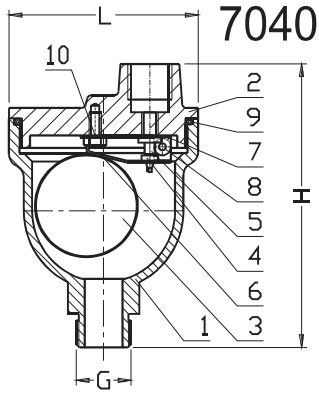
Test control:

Water pressure test according to EN 1074-1; EN 1074-2; EN 12266-1
Seat: 1,1 x PN
Body: 1,5 x PN

Installation:

Recommended to mount in vertical position in highest or inflection point of pipeline





No.	Part	Standard execution
1	Body	Brass CuZn39Pb1Al-B EN 1982
2	Bonnet	Brass CuZn39Pb1Al-B EN 1982
3	Float	Polyethylene EN ISO 1872-1
4	Sealing	Rubber EPDM or NBR EN ISO 1629
5	Nozzle	Stainless steel 1.4301 EN 10088-1
6	Lower lever	Stainless steel 1.4021 EN 10088-1
7	Upper lever	Stainless steel 1.4021 EN 10088-1
8	Bolt	Stainless steel 1.4301 EN 10088-1
9	Sealing ring	Rubber EPDM or NBR EN ISO 1629
10	Screw	Stainless steel EN ISO 4017

No.	Part	Standard execution
1	Body	Ductile cast iron EN-GJS-400-15 EN 1563
2	Bonnet	Ductile cast iron EN-GJS-400-15 EN 1563
3	Vulcanized ball	Aluminum AlSi EN 1706 Rubber NBR or EPDM EN ISO 1629
4	Sealing ring	Rubber EPDM or NBR EN ISO 1629
5	Sealing ring	Rubber EPDM or NBR EN ISO 1629
6	Screws	Stainless steel EN ISO 4017
7	Washer	Stainless steel EN ISO 7091
8	Air valve 7040	Separate specification

G	H	L	Weight
[cal]	[mm]		[kg]
3/4"	135	85	1,6
1"			1,7
5/4"			1,7
6/4"			1,8

Choose the size of the valve breather aeration					
Pipeline	DN	80-250	300-400	450-550	600-900
Double stage for potable water	DN	50	80	100	150

DN	H	L	D	K	l x n	G	G ₁	Weight
						[cal]	[kg]	
						[mm]		
50 / GW 2"	250	108	165	125	19x4	3/4"	5/4"	8,5
80	280	128	200	160	19x8(4)*		2"	15,5
100	316	141	220	180	19x8		2"	19,5
150	355	173	285	240	23x8		3"	34,5
200	355	173	340	295	23x8(12)*		3"	35,6