

Antipollution check valve BA
flanged

PN16

WATER



Na zdjęciu DN80

Product description (standard execution):

- Two closing devices with intermediate chamber to separate inflow from outflow zone
- No hydraulic impacts
- Low medium resistance – smooth surfaces
- High and low pressure tightness
- Silent working - compact design
- Pressure changes insensitivity
- Repair and maintenance without dismounting from installation
- Access eye to check closing tightness and water sampling. Additional hole for vertical drainage system.
- Body bonnet Zinc coated screws protected by wax
- Epoxy coating minimum 250 microns according to EN ISO 12944- 5
- Article according to EN 1717; EN 12729
- Flange connection according to EN 1092-2 (DIN2501) pressure PN10; PN16
- Article marking according to EN 19; EN 1074

Application:

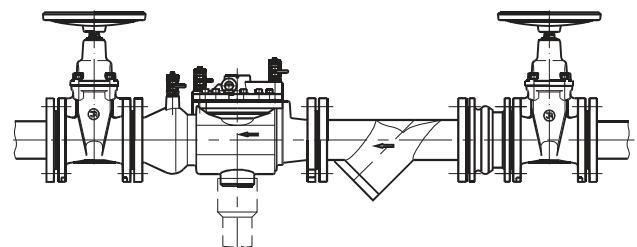
Water lines networks: potable water back flow protection. Max. working pressure 1.6MPa and temp. up to +70°C

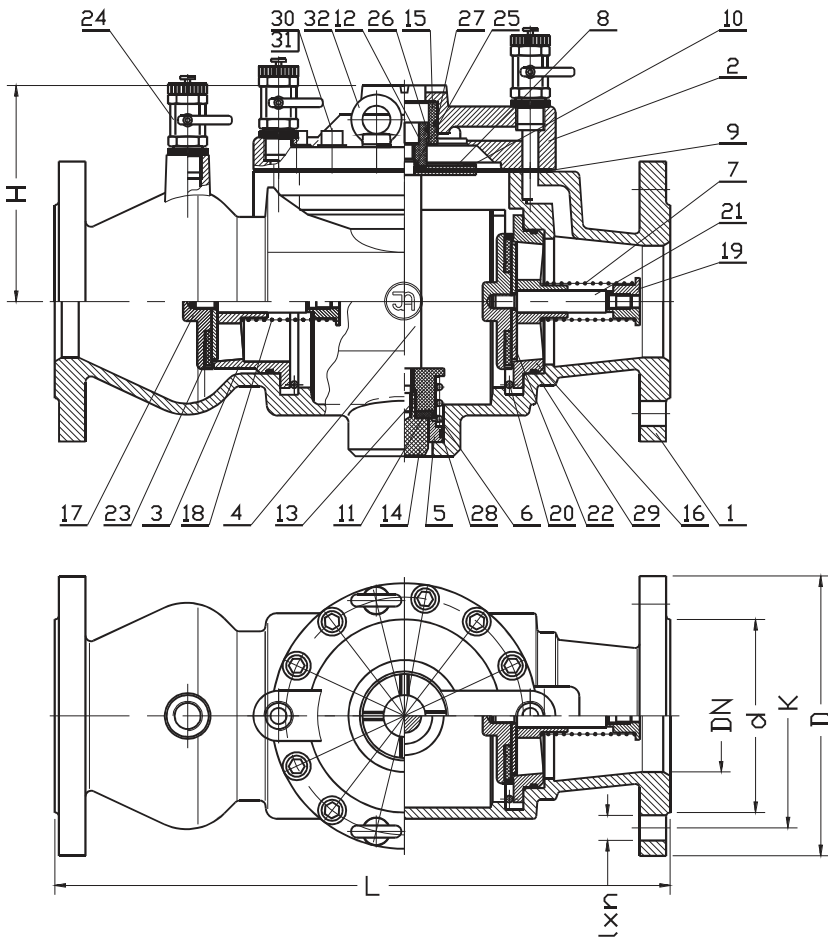
Installation:

According to below scheme

Test control:

Water pressure test according to EN 1074-1; EN 1074-2; EN 12266-1
Seat: 1,1 x PN
Body: 1,5 x PN





No.	Part	Standard execution
1	Body	Ductile cast iron EN-GJS 400-15 EN 1563
2	Bonnet	Ductile cast iron EN-GJS 400-15 EN 1563
3	Cann	Brass CuZn39Pb1Al-B EN 1982
4	Stem	Brass CuZn39Pb1Al-B EN 1982
5	Socket	Stainless steel 1.4021 EN 10088-1
6, 7, 18	Spring	Stainless steel 1.4021 EN 10088-1
8	Clamping	Stainless steel 1.4021 EN 10088-1
9	Membrane	Rubber EPDM EN ISO 1629
10, 11, 23	Gasket	Rubber EPDM EN ISO 1629
12	Głowiczka	POM
13	Valve plug	POM
14	Cann valve plug	Brass CuZn39Pb1Al-B EN 1982
15	Sleeve	POM
16	Cann	Brass EN 1982
17	Valve plug	Brass EN 1982
19	Nut	Brass EN 1982
20	Ring	Stainless steel 1.4021 EN 10088-1
21	Pin	Stainless steel 1.4021 EN 10088-1
22	Clamping plate	Stainless steel 1.4301 EN 10088-1
24	Ball valve	Catalogue producer
25-29	O-ring	Rubber EPDM EN ISO 1629
30	Screw	Stainless steel EN ISO 4762
31	Washer	Stainless steel EN ISO 7091
32	Screw	EN-92/M-82472

- other material variants on special request

* Implementation

DN	L	H	D	d	K PN16 (PN10)	I PN16 (PN10)	n PN16 (PN10)	Weight	
[mm]								-	[kg]
65*	356	150	185	122	145	19	8	-	
80	440	155	200	138	160			30,0	
100*	530	180	220	158	180			-	
150*	630	210	285	212	240	23	12(8)	-	
200*	765	240	340	268	295			-	
250*	770	270	405	320	355 (350)			28 (23)	12

We reserve the rights to modify the production program and the given data without separate notices due to the permanent company development