

**Knife gate valve with electric actuator
interflange**

PN2 PN7
PN6 PN10

SEWAGE



Knife gate valve DN100

Product description (standard execution):

- Grey iron or stainless steel 1.4301 monolithic body
- Stainless steel 1.4021 spindle with rolled thread
- Low friction spindle bearing by plastic and brass plain washers
- Gland sealing – o-ring and non-asbestos cord
- NBR o-ring knife gasket
- Wedge nut made of forged brass
- Unidirectional tightness
- Epoxy coating minimum 250 microns according to EN ISO 12944-5
- Stainless steel bolts and washers
- Product according to EN 1074-1 and 2 EN 1171
- Flange connection according to EN 1092-2 (DIN 2501) pressure PS2; PS4; PS7; PS10
- Face to face according to EN 558-A1 row 20 (DIN 3202)
- Product marking according to EN 19; EN 1074

Application:

Water and sewage networks and tanks; pulverized products, transport of non aggressive liquids.

Working conditions:

temp. up +70°C

pressure up to 1,0 MPa

Test control:

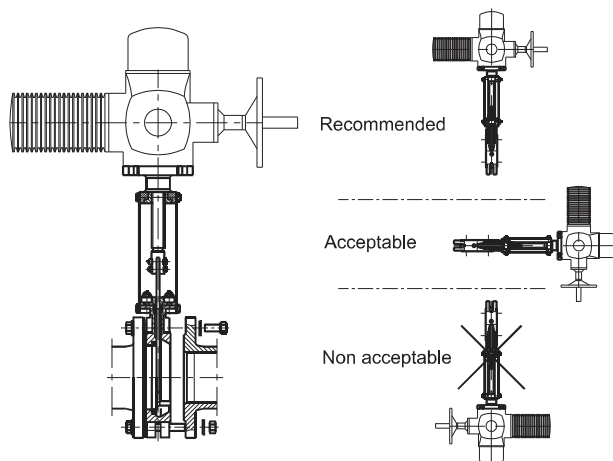
Hydraulic test according to EN 1074-1; EN 1074-2; EN 12266-1

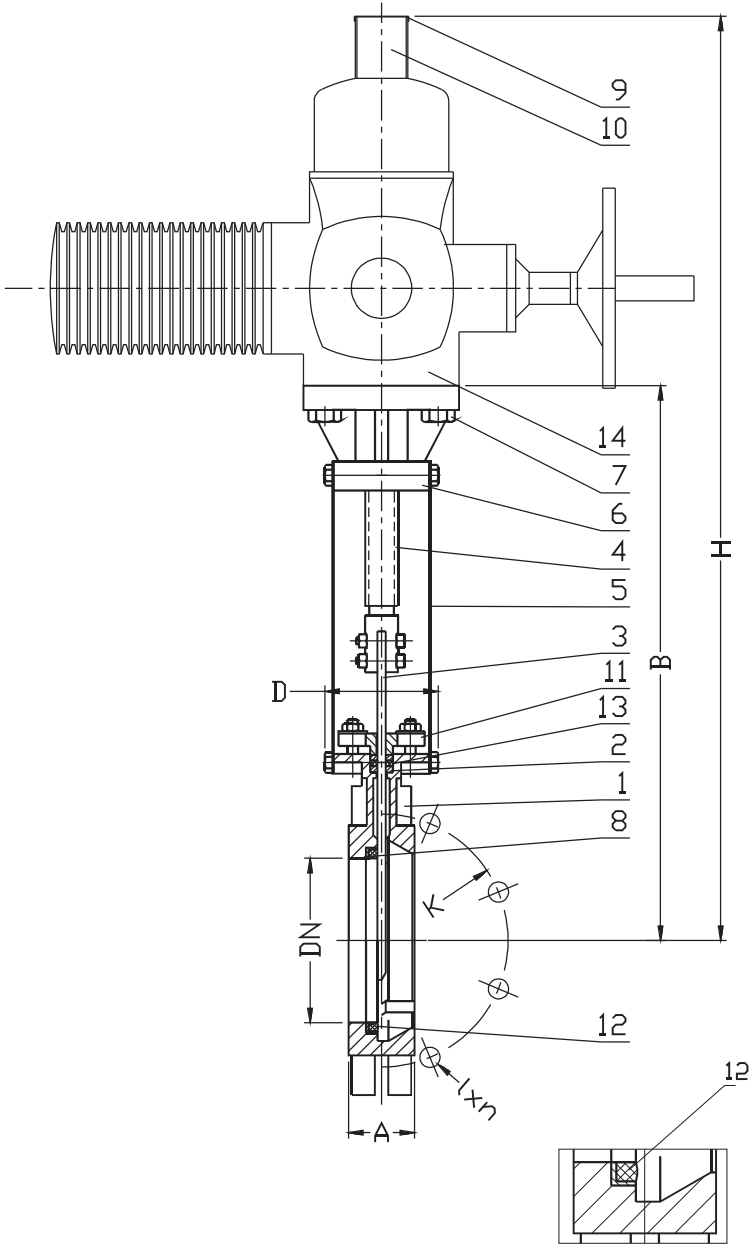
Seat: 1,1 xPN

Body: 1,5 x PN

Operation torque test.

Execution variant:





| No. | Part | Standard execution |
|-----|-------------------|---|
| 1 | Body | Grey iron EN-GJL-250 EN 1561 Stainless steel 1.4301 EN 10088-1 |
| 2 | Gland seal | PACKAGE: Rubber NBR EN ISO 1629 and non-asbestos cord |
| 3 | Knife | Stainless steel 1.4301 EN 10088-1 |
| 4 | Spindle | Stainless steel 1.4021 EN 10088-1 |
| 5 | Support plate | Steel 1.0038 EN 10025 |
| 6 | Engine base | Ductile cast iron EN-GJS-400-15 EN 1563 |
| 7 | Screw | Stainless steel EN ISO 4014 |
| 8 | Stopper ring | Stainless steel 1.4301 EN 10088-1 |
| 9 | Cap | Polypropylene EN ISO 1873-1 |
| 10 | Protective tube | Steel R45 |
| 11 | Clamping plate | Silumin AlSi EN 1706 |
| 12 | Gasket | Rubber NBR EN ISO 1629 |
| 13 | | |
| 14 | Electric actuator | Producer catalogue |

- other material variants on special request

| DN | PN | PS | Actuator | Flange connections | Thread | Turn for full open | K | I x n | A | B | D | H | Weight | | | | |
|------|-------|-------|--------------|--------------------|------------|--------------------|-----|-------|-----|-----|----|-----|--------|------|-----|------|----|
| [mm] | [Bar] | [Bar] | | | | | | | | | | | | [mm] | [n] | [mm] | |
| 50 | 10 | 16 | SA 07.2 (F7) | F7 | Tr 20x4 LH | 14 | 125 | 19x4 | 40 | 283 | 83 | 556 | 27 | | | | |
| 65 | | | | | | | | | | 308 | | | | 29 | | | |
| 80 | | | | | | | | | | 333 | | | | | 30 | | |
| 100 | | | | | | | | | | 378 | | | | | | 31 | |
| 125 | | | | | | | | | | 423 | | | | | | | 37 |
| 150 | | | | | | | | | | 474 | | | | | | | |
| 200 | 593 | 58 | | | | | | | | | | | | | | | |
| 250 | 685 | | 72 | | | | | | | | | | | | | | |
| 300 | 792 | | | 86 | | | | | | | | | | | | | |
| 350 | 900 | | | | 108 | | | | | | | | | | | | |
| 400 | 978 | | | | | 138 | | | | | | | | | | | |
| 450 | 1105 | | | | | | 168 | | | | | | | | | | |
| 500 | 1215 | 234 | | | | | | | | | | | | | | | |
| 600 | 1418 | | 269 | | | | | | | | | | | | | | |
| 700 | 1640 | | | 313 | | | | | | | | | | | | | |
| | | | | | 400 | | | 2372 | 480 | | | | | | | | |

We reserve the rights to modify the production program and the given data without separate notices due to the permanent company development.