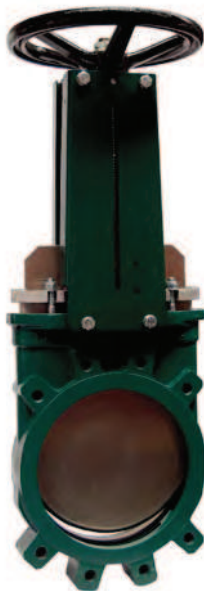


**Knife gate valve
interflange**

PN2 PN7
PN6 PN10

SEWAGE



Knife gate valve DN250

Product description (standard execution):

- Grey iron or stainless steel 1.4301 monolithic body
- Stainless steel 1.4021 spindle with rolled thread
- Low friction spindle bearing by plastic and brass plain washers
- Gland sealing – o-ring and non-asbestos cord
- NBR o-ring knife gasket
- Wedge nut made of forged brass
- Unidirectional tightness
- Epoxy coating minimum 250 microns according to EN ISO 12944-5
- Stainless steel bolts and washers
- Product according to EN 1074-1 and 2 EN 1171
- Flange connection according to EN 1092-2 (DIN 2501) pressure PS2; PS4; PS7; PS10
- Face to face according to EN 558-A1 row 20 (DIN 3202)
- Product marking according to EN 19; EN 1074

Application:

Water and sewage networks and tanks; pulverized products, transport of non aggressive liquids.
Working conditions:
temp. up +70°C
pressure up to 1,0 MPa

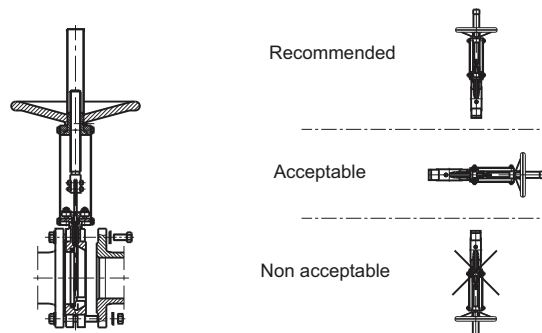
Execution variant:

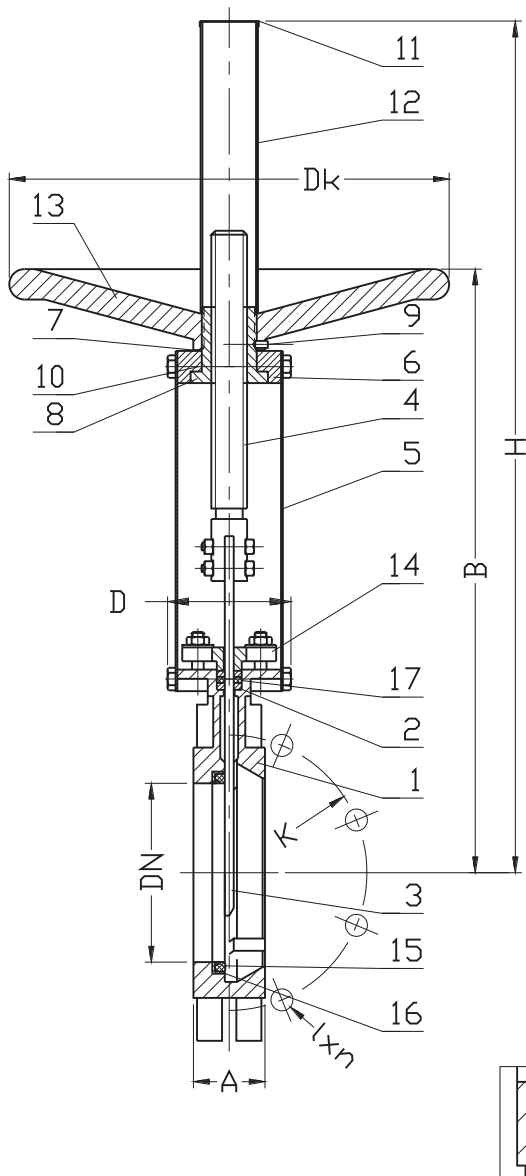
With rising and non-rising spindle
With deflector
With electric or pneumatic actuators -see: 2904
With inductive sensors

Test control:

Hydraulic test according to EN 1074-1; EN 1074-2; EN 12266-1
Seat: 1,1 xPN
Body: 1,5 x PN
Operation torque test.

Installation:





No.	Part	Standard execution
1	Body	Grey iron EN-GJL-250 EN 1561 Stainless steel 1.4301 EN 10088-1
2	Gland seal	PACKAGE; Rubber NBR, EN ISO 1629 and non- asbestos cord
3	Knife	Stainless steel 1.4301 EN 10088-1
4	Spindle	Stainless steel 1.4021 EN 10088-1
5	Support plate	Stal 1.0038 EN 10025
6	Nut support	Stal 1.0038 EN 10025
7	Washer	Bronze EN 1982
8	Spindel nut	Brass EN 1982
9	Set screw	Stainless steel EN ISO 4027
10	Greaser	Stainless steel
11	Cap	Polypropylene EN ISO 1873-1
12	Protective tube	Steel
13	Handwheel	Grey iron EN-GJL-250 EN 1561
14	Clamping plate	Silumin AlSi EN 1706
15-17	Gasket	Rubber NBR EN ISO 1629
16	Stopper ring	Stainless steel 1.4301 EN 10088-1

- other material variants on special request

DN	PN	PS	Thread	Turn for full open	K	$l \times n$	A	B	D	H	Dk	Weight		
[mm]	[Bar]		[mm]	[n]			[mm]					[kg]		
50	10 16	10	Tr 20x4 LH	14	125	19x4	40	283	83	348	200	8		
65				17	145							10		
80				21	160							11		
100				26	180	19x8	50	378	488	12				
125				32	210									
150				39	240	23x8	60	474	93	250	564	635	250	17
200	41	295	21											
250	51	350	23x12	70	685									108
300	61	400				52								
350	10	7	Tr 25x5 LH	59	460	23x16	96	900	290	1282	500	186		
400				68	515								28x16	100
450				76	565	28x20	106	1105	290	500	1587	2060	800	145
500				84	620									28x20
600				102	725	31x20	110	1418	400	800	2372	800	800	221
700				2	840									31x24
			Tr 50x8 LH	103	840	31x24						430		

We reserve the rights to modify the production program and the given data without separate notices due to the permanent company development.