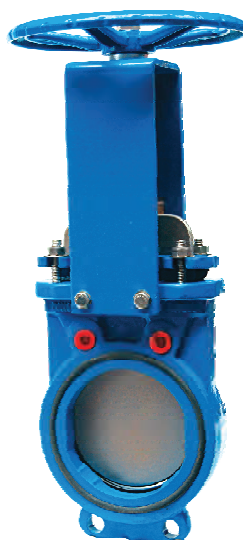


**Knife gate valve**  
interflange

PN2,5  
PN6  
PN10

**SEWAGE**



Knife gate valve DN80

**Product description (standard execution):**

- Bidirectional tightness
- Knife circumferential seal profile with steel insert
- Knife cleaning scrapers
- Ductile cast iron monolithic body EN-GJS 400-15
- Stainless steel 1.4021 spindle with rolled thread
- Low friction spindle bearing by plastic and brass plain washers
- Gland sealing – o-ring NBR and non-asbestos cord
- Wedge nut made of forged brass
- Epoxy coating minimum 250 microns according to EN ISO 12944-5
- Stainless steel bolts and washers
- Product according to EN 1074-1 and 2; EN 1171
- Flange connection according to EN 1092-2 (DIN 2501) pressure PS2,5; PS6; PS10
- Face to face according to producer documentation
- Product marking according to EN 19; EN 1074

**Application:**

Water and sewage networks and tanks; pulverized products, transport of non aggressive liquids.  
Working conditions:  
temp. up +70°C  
pressure up to 1,0 MPa

**Test control:**

Hydraulic test according to EN 1074-1; EN 1074-2; EN 12266-1  
Seat: 1,1 xPN  
Body: 1,5 x PN  
Operation torque test.

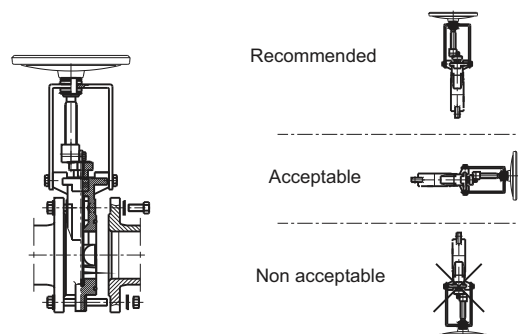
**Accessories:**

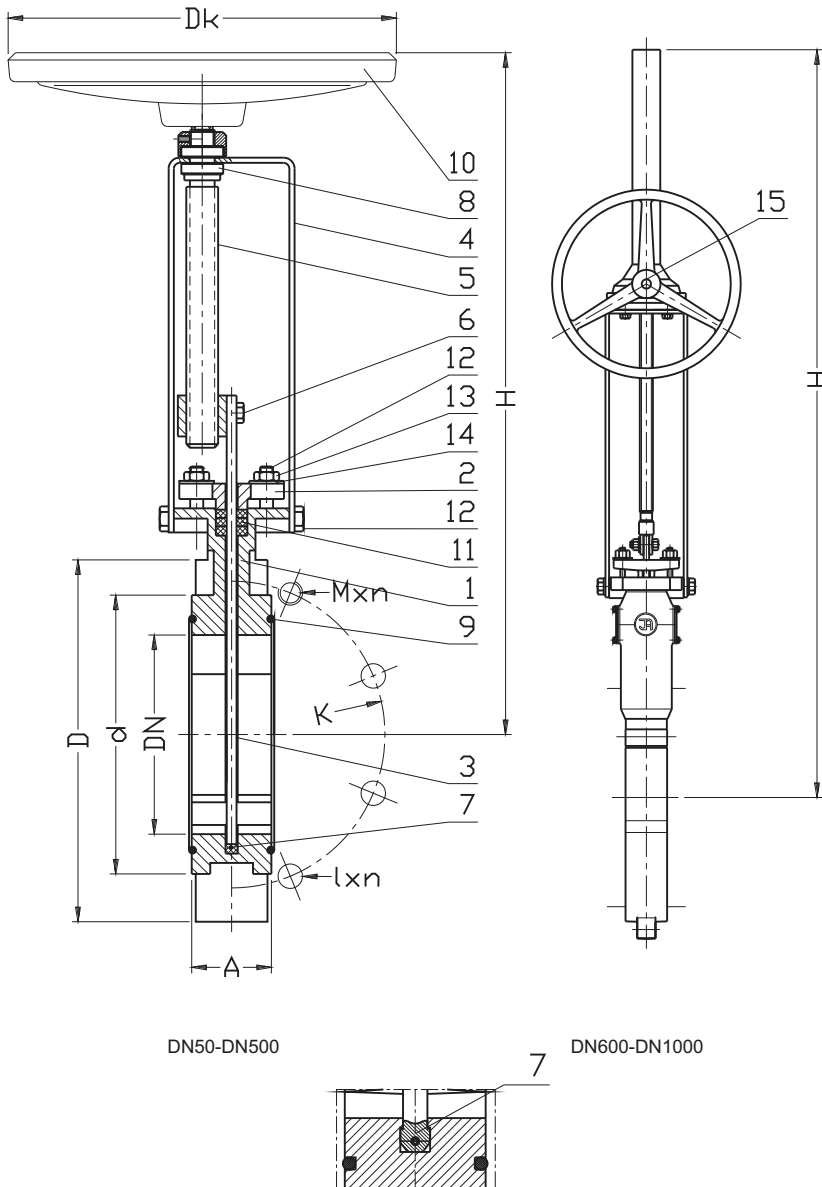
Extension spindle - see: 9010, 9011  
Pillar with handwheel - see: 9113  
Pillar for electric actuator - see: 9114  
Street box - see: 9501

**Execution variant:**

With non-rising and rising spindle  
With Intersecting axis gear  
With deflector  
With electric or pneumatic actuator - see: 2905  
With inductive sensors

**Installation:**





No.	Part	Standard execution
1	Body	Ductile cast iron EN-GJS-400-15 EN 1563
2	Clamping plate	Ductile cast iron EN-GJS-400-15 EN 1563
3	Knife	Stainless steel 1.4301 EN 10088-1
4	Pillar	Steel 1.0038 EN 10025-2
5	Spindle	Stainless steel 1.4021 EN 10088-1
6	Spindle nut	Brass EN 1982
7	Gasket	Rubber NBR EN ISO 1629
8	Sliding bushing	Polyamide EN 1871-1 Brass EN 1982
9	Seal o-ring	Rubber NBR EN ISO 1629
10	Handwheel	Grey iron EN-GJL-250 EN 1561
11	Gland seal	PACKAGE; Rubber NBR, EN ISO 1629 with non- asbestos cord
12	Screw	Stainless steel A2 EN ISO 4014
13	Nut	Stainless steel A4 EN ISO 4032
14	Washer	Stainless steel A2 EN ISO 7091
15	Gearbox	Producer catalogue

- other material variants on special request

Standard: DN50 to DN500 - non-rising spindle  
DN600 to DN1000 - rising spindle + gearbox

DN	PN	PS	K	D	d	l x n	M x n	A		H	Dk	Kv	Weight		
								by drawing	row20						
[mm]	[bar]						[mm]					[m³/h]	[kg]		
50	10	16	125	165	99	-	M16x4	48	-	286	200	206	8		
65			145	185	118	-			-	317		309	10		
80			160	200	132	Ø19x6	M16x2	52	-	335	250	494	11		
100			180	220	156	Ø19x6			-	370		927	13		
125			210	250	184	Ø19x6	M20x2	56	56	420	320	1545	18		
150			240	285	212	Ø23x6			-	494		2060	21		
200			10	16	295	340	266	Ø23x6	M20x4	70	-	575	630	4017	38
250					350	395	319	Ø23x8			-	680		5665	52
300					400	445	370	Ø23x8	M20x6	76	-	794	815	8755	63
350					460	505	430	Ø23x10			-	890		11640	83
400	515	565			480	Ø28x10	M24x6	86	-	990	15520	98			
500	620	670			582	Ø28x12	M24x8	114	-	1820	630	22310	232		
600	725	780			682	Ø31x12	M27x8		-	2050		33950	282		
700	2.5	16			840	910	794	Ø31x14	M27x10	-	165	2480	815	48500	554
800					950	1015	901	Ø34x14	M30x10	-	190	2800		58200	680
900					1050	1115	1001	Ø34x16	M30x12	-	203	3070		77600	850
1000			1160	1230	1112	Ø37x16	M33x12	-	216	3430	97000	1150			

We reserve the rights to modify the production program and the given data without separate notices due to the permanent company development.