

Metal seated gate valve
 flanged

PN10
PN16

INDUSTRY



Gate valve 2109 DN200

Product description (standard execution):

- Body and wedge face seal rings made of bronze or stainless steel
- Graphite or PTFE + graphite packing gland of spindle
- Wedge nut made of bronze or ductile cast iron - replaceable
- Non rising stainless steel spindle with rolled thread
- Body bonnet and wedge made of ductile cast iron EN-GJS 400-15
- Non-asbestos body bonnet gasket - flat
- Packing cork protected against dirt penetration
- Body bonnet Zinc coated screws
- Polyvinyl coating minimum 100 microns according to EN ISO 12944-5
- Product according to EN 1171
- Flange connection according to EN 1092-2 (DIN 2501) pressure PN10; PN16
- Face to face according to EN 558-A1 row14 F4 (DIN 3202)
- Product marking according to EN 19; EN 1171

Application:

Industrial water, water and air networks and tanks; heating installations, petroleum compounds and other inert liquids.

Working conditions:

temp. up +120°C (bronze rings), +150°C (stainless steel rings)
 pressure up to 1,6 MPa

Test control:

Water pressure test according to EN 1074-1; EN 1074-2;

EN 12266-1

Seat: 1,1 xPN

Body: 1,5 x PN

Air pressure test according to EN 12266-1

Seat: 1,1 x PN;

Body: 1,1 x PN

Operation torque test

Accessories:

Extension spindle - see: 9010, 9011

Pillar with handwheel - see: 9113

Pillar for electric actuator - see: 9114

Handwheel - see: 9301

Street box - see: 9501, 9509

Execution variant:

Ductile cast iron EN-GJS 500-7

With SS body bonnet screws

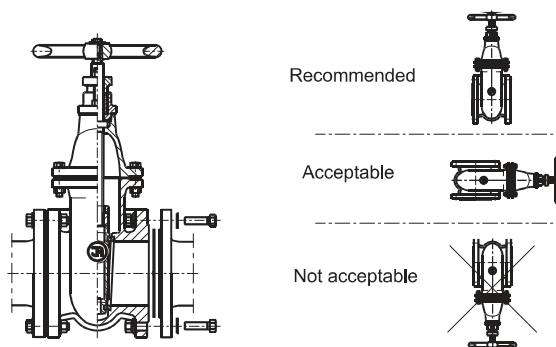
For actuator

With electric or pneumatic actuators - see: 2909

With inductive or electromechanical sensors

With opening indicator

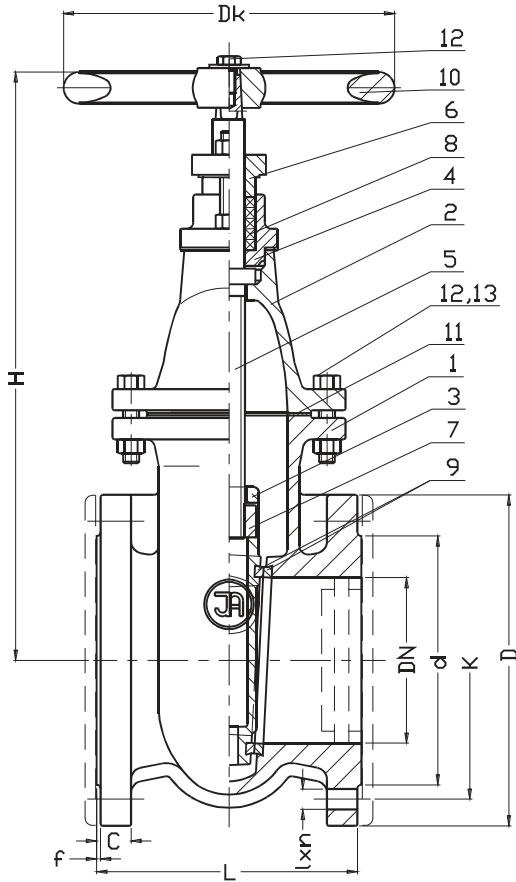
Installation:



Recommended

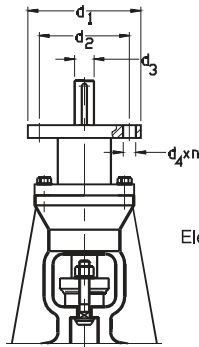
Acceptable

Not acceptable

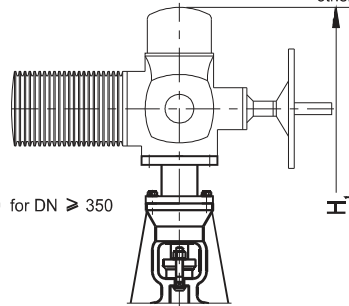


No.	Part	Standard execution
1	Body	Ductile cast iron EN-GJS-400-15 EN-GJS-500-7 EN 1563
2	Bonnet	Ductile cast iron EN-GJS-400-15 EN-GJS-500-7 EN 1563
3	Wedge	Ductile cast iron EN-GJS-400-15 EN-GJS-500-7 EN 1563
4	Gland	Ductile cast iron EN-GJS-400-15 EN-GJS-500-7 EN 1563
5	Spindle	Stainless steel 1.4021 DN40-600 EN 10088-1
6	Clamping plate	Ductile cast iron EN-GJS-400-15 EN-GJS-500-7 EN 1563
7	Spindle nut	Ductile cast iron EN-GJS-400-15 EN 1563 Bronze EN 1982
8	Gland seal	Graphite - DN40-300; Graphite or PTFE - DN350-600
9	Ring	Stainless steel 1.4021 EN 10088-1 Bronze EN 1982
10	Handwheel	Grey iron EN-GJL-250 EN 1561
11	Body-bonnet gasket	Non-asbestos gasket Graphite - DN40-300 AF300 - DN350-600
12	Screw	Steel 1.0038 DN40-300 Fe/Zn5 DN 350-600 EN ISO 4017
13	Nut	Steel 1.0038 DN40-300 Fe/Zn5 DN350-600 EN ISO 4027

Product version:
For actuator 2109



Electric actuator 2909 for DN ≥ 350



- other material variants on special request

Seal	120°C	150°C
Bronze ring	PS10/16	
Steel ring	PS10/16	PS10

DN	PN	L	H	H1	d	D	K	C	f	l	n	d1	d2	d3	d4	Dk	LH thread	Actuator	Turns for full open	
[mm]	[bar]	[mm]																		
40	PN10/16	140	245	no option	84	150	110	19	3	19	4	no option				160	Tr12X3	no option	15	
50		150	255		99	165	125	19	3	19	4						160		Tr12X3	18
65		170	277		118	185	145	19	3	19	4						160		Tr16X4	20
80		180	303		132	200	160	19	3	19	8						160		Tr16X4	26
100		190	340		156	220	180	19	3	19	8						200		Tr20X4	30
125		200	387		184	250	210	19	3	19	8						200		Tr20X4	29
150		210	454		211	285	240	19	3	23	8						200		Tr22X5	36
200		230	538		266	340	295	20	3	23	12(8)						250		Tr22X5	46
250		250	629		319	405 (395)	355 (350)	22	3	28 (23)	12						250		Tr26X5	48
300		270	730		370	460 (445)	410 (400)	25	4	28 (23)	12						320		Tr28X5	57
350		290	860	1033	429	520 (505)	470 (460)	27	4	28 (23)	16	175	140	30	18x4	320	Tr32X6	SA 14.2 F14	65	
400		310	935	1370	480	580 (565)	525 (515)	28	4	31 (28)	16					320	Tr32X6	SA 14.6 F14	74	
500	350	1135	1555	609 (582)	715 (670)	650 (620)	32	4	34 (28)	20	630						Tr40X6		91	
600	390	1305	1650	720 (682)	840 (780)	770 (725)	36	5	37 (31)	20	630						Tr40X6		108	

We reserve the rights to modify the production program and the given data without separate notices due to the permanent company development.