

Metal seated gate valve
flanged

PN10
PN16

INDUSTRY



Gate valve 2110 DN200

Product description (standard execution):

- Body and wedge face seal rings made of brass
- Wedge nut made of forged brass - replaceable
- Under pressure replaceable packing cork
- Stainless steel spindle with rolled thread
- Low friction double spindle bearing acting both horizontal and vertical way
- O-ring spindle sealing, packing cork protected against medium
- Forged packing cork protected against unscrewing
- Body bonnet and wedge made of grey iron
- Packing cork protected against dirt penetration
- Polyvinyl coating minimum 100 microns according to EN ISO 12944-5
- Product according to EN 1171
- Flange connection according to EN 1092-2 (DIN 2501) pressure PN10; PN16
- Face to face according to EN 558-A1 row 14 F4 (DIN 3202)
- Product marking according to EN 19; EN 1171

Application:

Industrial water, water and air networks and tanks; heating installations and other inert liquids.
 Working conditions:
 temp. up +120°C
 pressure up to 1,6 MPa

Test control:

Water pressure test according to PN-EN 1074-1:2002; PN-EN 1074-2:2002;
 PN-EN 12266-1:2012
 Seat: 1,1 xPN
 Body: 1,5 x PN
 Operation torque test

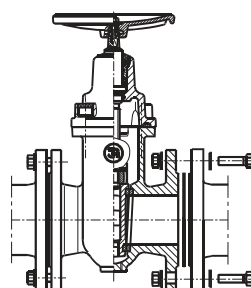
Accessories:

Extension spindle - see: 9010, 9011
 Pillar with handwheel - see: 9113
 Pillar for electric actuator - see: 9114
 Handwheel - see: 9301
 Street box - see: 9501, 9509

Execution variant:

With SS body bonnet screws
 For actuator
 With electric or pneumatic actuators - see: 2910
 With inductive or electromechanical sensors
 With opening indicator

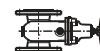
Installation:



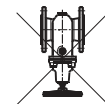
Recommended

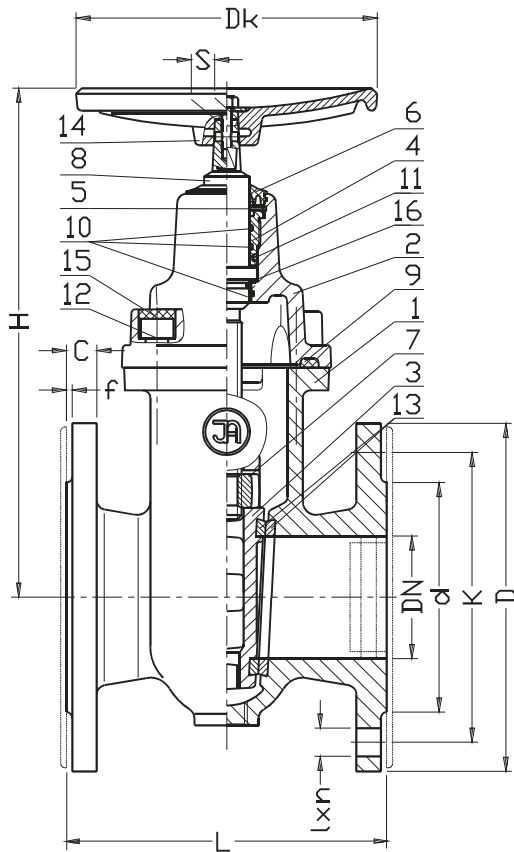


Acceptable



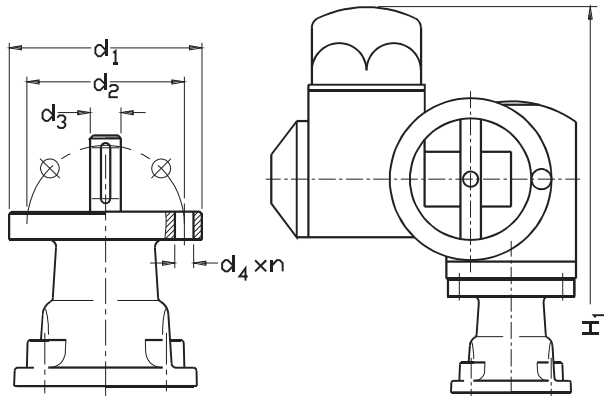
Not acceptable





Product version:
For actuator 2110

Electric actuator 2910



No.	Part	Standard execution
1	Body	Grey iron EN-GJL-250, EN 1561
2	Bonnet	Grey iron EN-GJL-250, EN 1561
3	Wedge	Grey iron EN-GJL-250, EN 1561
4	Packing cork	Brass EN 1982
5	Protection ring	Steel 1.1260
6	Cleaning gasket	Rubber EPDM EN ISO 1629
7	Spindle nut	Brass EN 1982
8	Spindle	Stainless steel 1.4021 EN 10088-1
9	Body-bonnet gasket	Rubber EPDM EN ISO 1629
10	O-ring	Rubber EPDM EN ISO 1629
11	O-ring	Rubber EPDM EN ISO 1629
12	Screw	Steel Fe/Zn5 EN ISO 4762
13	Ring	Brass EN 1982
14	Handwheel	Grey iron EN-GJL-250 EN 1561
15	Screw stoper	Wax
16	Washer	Poly amide PA6 EN ISO 1874-1

- other material variants on special request

DN	PN	L	H	H1	d	D	K	C	f	I	n	d1	d2	d3	d4	S	Dk	LH thread	Actuator	Turns for full open	Weight				
[mm]	[bar]	[mm]														[mm]	-	-	[kg]						
40	PN10 / 16	140	230	461	84	150	110	18	3	22	4	90	70	20	9x4	14	200	Tr16x4	SA 7.6 F7	15	11				
50		150	250	481	99	165	125	20	3	22	4					14	200	Tr16x4		18	13				
65		170	280	507	118	185	145	20	3	22	4					125	102	20	11x4	17	200	Tr16x4	SA 10.2 F10	20	18
80		180	310	530	132	200	160	22	3	22	8									17	200	Tr16x4		26	21
100		190	350	563	156	220	180	24	3	23	8	19	250	Tr20x4	30					30					
125		200	395	604	184	250	210	26	3	25	8	19	250	Tr24x5	29					42					
150		210	450	675	211	285	240	26	3	26	8	19	250	Tr24x5	36	54									
200		230	510	750	266	340	295	30	3	29	12(8)	24	320	Tr24x5	46	80									

We reserve the rights to modify the production program and the given data without separate notices due to the permanent company development.