

Resilient seated gate valve
with opening indicator
flanged

PN10
PN16

FIRE
PROTECTION

WATER



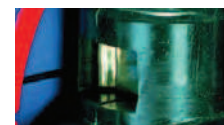
Gate valve DN100



Packing cork protected against unscrewing and fully covered by additional cleaning gasket



Horizontal and vertical double spindle bearing



Replaceable wedge nut



Application of low friction sliding element

Product description (standard execution):

- Corrosion resistant opening indicator
- Body bonnet and wedge made of ductile cast iron EN-GJS 400-15; EN-GJS 500-7
- Full bore gate valve
- NBR/EPDM fully vulcanised wedge
- Application of low friction sliding element
- Wedge nut made of forged brass - replaceable
- Stainless steel spindle with rolled thread
- Low friction double spindle bearing acting both horizontal and vertical way
- O-ring spindle sealing packing cork protected against contact with medium
- Under pressure replaceable packing cork
- Forged packing cork protected against unscrewing
- Packing cork protected against dirt penetration
- Body bonnet Zinc coated screws protected by wax
- Epoxy coating minimum 250 microns according to EN ISO 12944-5
- Product according to EN 1074-1 and 2; EN 1171
- Flange connection according to EN 1092-2 (DIN 2501) pressure PN10; PN16
- Face to face according to EN 558-A1 F5 (DIN 3202) – catalogue number 2002
- Face to face according to EN 558-A1 F4 (DIN 3202) – catalogue number 2111
- Product marking according to EN 19; EN 1074

Application:

Water networks, tanks and fire fighting instalations. Transport of non aggressive liquids.
Working conditions:
temp. up +70°C
pressure up to 1,6 MPa

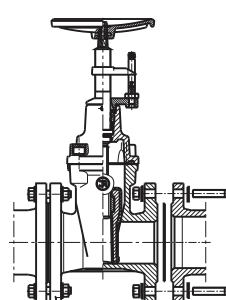
Execution variant:

With inductive or electromechanical sensors

Test control:

Hydraulic test according to EN 1074-1; EN 1074-2; EN 12266-1
Seat: 1,1 xPN
Body: 1,5 x PN
Operation torque test.

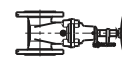
Installation:



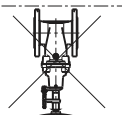
Recommended

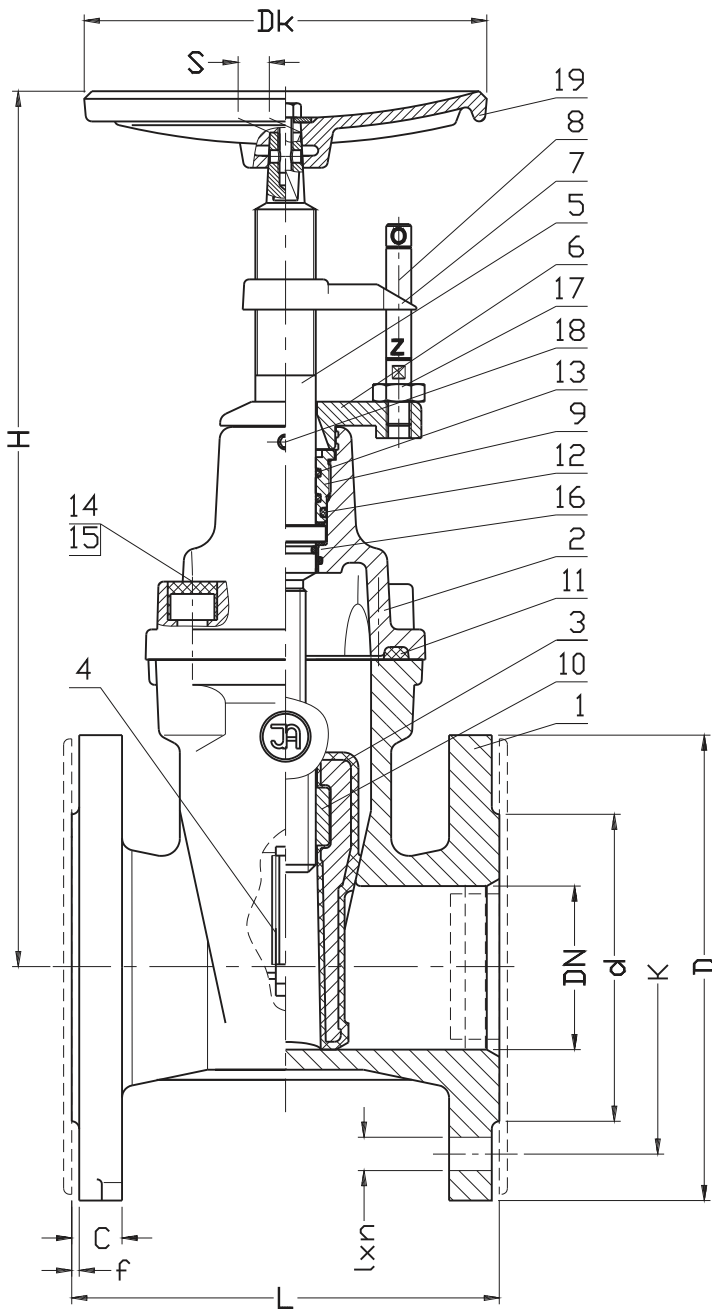


Acceptable



Not acceptable





No.	Part	Standard execution
1	Body	Ductile cast iron EN-GJS-400-15 or EN-GJS-500-7 EN 1563
2	Bonnet	Ductile cast iron EN-GJS-400-15 or EN-GJS-500-7 EN 1563
3	Wedge	Ductile cast iron EN-GJS-400-15 EN-GJS-500-7 EN 1563 Rubber EPDM or NBR; EN ISO 1629
4	Wedge slider	Polyamide EN ISO 1874-1
5	Spindle	Stainless steel 1.4057; 1.4021 EN 10088-1
6	Indicator holder	Grey iron EN-GJL-250 EN 1561 Polypropylene EN ISO 1872-1
7	Indicator	Brass, PN-EN 1982 Polyethylene, EN ISO 1872-1
8	Scale	Stainless steel 1.4021 EN 10088-1
9	Packing cork	Brass EN 1982
10	Spindle nut	Brass EN 1982
11	Body-bonnet gasket	Rubber EPDM or NBR EN ISO 1629
12	O-ring	Rubber EPDM or NBR EN ISO 1629
13	O-ring	Rubber EPDM or NBR EN ISO 1629
14	Screw	Steel Fe/Zn5; stainless steel EN ISO 4762
15	Screw stopper	Wax
16	Washer	Polyamide PA6 EN ISO 1874-1
17	Nut	Steel Fe/Zn5; stainless steel EN ISO 4032
18	Screw	Stainless steel EN ISO 4027
19	Handwheel	Grey iron EN-GJL-250 EN 1561

- other material variants on special request

DN	2511 L	2502 L	H	d PN16 (PN10)	D	K PN16 (PN10)	I PN16 (PN10)	C	f	n PN16 (PN10)	Dk	S	Weight	Weight
[mm]											[mm]	2511 [kg]	2502 [kg]	
40	140	240	290	84	150	110	19	19	3	4	200	14	11	12
50	150	250	315	99	165	125	19	19	3	4	200	14	13	14
65	170	270	345	118	185	145	19	19	3	4	200	17	18	19
80	180	280	385	132	200	160	19	19	3	8	200	17	21	23
100	190	300	435	156	220	180	19	19	3	8	250	19	30	33
125	200	325	475	184	250	210	19	19	3	8	250	19	36	42
150	210	350	535	211	285	240	23	19	3	8	250	19	50	54
200	230	400	620	266	340	295	23	20	3	12 (8)	320	24	70	87
250	250	450	720	319	405	355 (350)	28 (23)	22	3	12	320	27	98	112
300	270	500	830	370	460	410 (400)	28 (23)	25	4	12	320	27	132	159

We reserve the rights to modify the production program and the given data without separate notices due to the permanent company development.