

Resilient seated gate valve
with socket ends

PN10
PN16

WATER



Gate valve DN80



Product description (standard execution):

- Body bonnet and wedge made of ductile cast iron EN-GJS 400-15
- Full bore gate valve
- NBR/EPDM fully vulcanised wedge
- Wedge nut made of forged brass - replaceable
- Application of low friction sliding element
- Stainless steel spindle with rolled thread
- Low friction double spindle bearing acting both horizontal and vertical way
- O-ring spindle sealing packing cork protected against contact with medium
- Under pressure replaceable packing cork
- Forged packing cork protected against unscrewing
- Packing cork protected against dirt penetration
- Body bonnet Zinc coated screws protected by wax
- Epoxy coating minimum 250 microns according to EN ISO 12944-5
- Product according to EN 1074-1 and 2; EN 1171
- Face to face according to producer documentation JAFAR
- Product marking according to EN 19; EN 1074

Application:

Water and sewage networks and tanks. Transport of non aggressive liquids.
Working conditions:
temp. up +70°C
pressure up to 1,6 MPa

Test control:

Hydraulic test according to EN 1074-1; EN 1074-2; EN 12266-1
Seat: 1,1 xPN
Body: 1,5 x PN
Operation torque test.

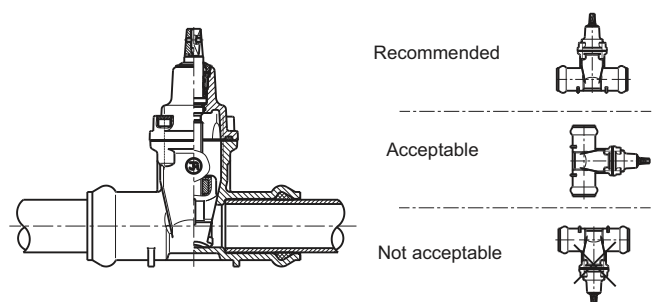
Accessories:

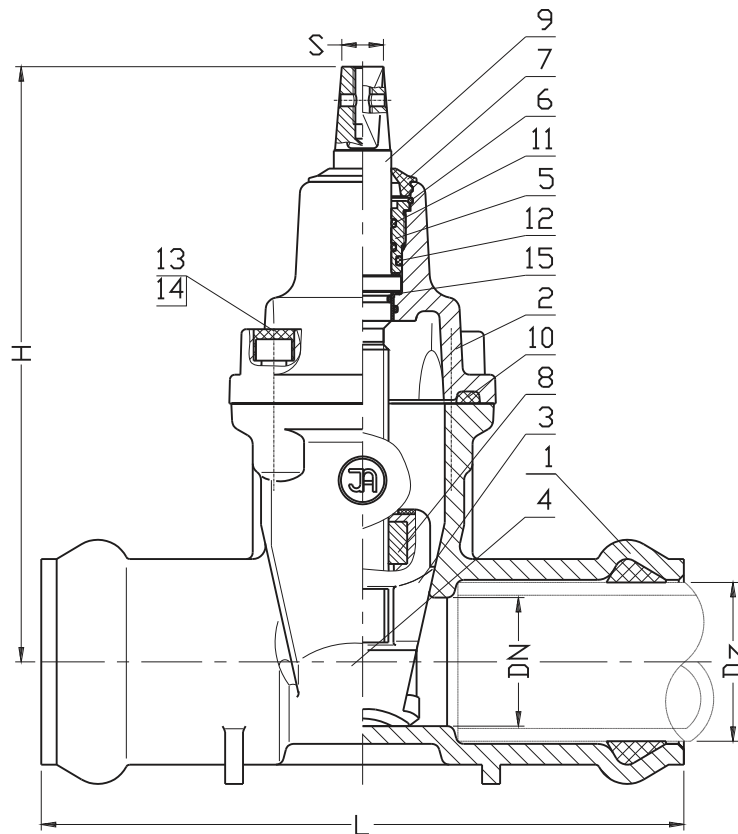
- Extension spindle - see: 9010, 9011
- Pillar with handwheel - see: 9113
- Pillar for electric actuator - see: 9114
- Handwheel - see: 9301
- Street box - see: 9501 9509

Execution variant:

Ductile cast iron EN-GJS 500-7
SS body bonnet screws
For actuator
Electric or pneumatic actuators
Inductive or electromechanical sensors
Opening indicator

Installation:





No.	Part	Standard execution
1	Body	Ductile cast iron EN-GJS-400-15 EN 1563
2	Bonnet	Ductile cast iron EN-GJS-400-15 EN 1563
3	Wedge	Ductile cast iron EN-GJS-400-15 EN 1563 Rubber EPDM EN ISO 1629
4	Wedge slider	Poly amide EN 1874-1
5	Packing cork	Brass EN 1982
6	Protection ring	Steel 1.1260
7	Cleaning gasket	Rubber EPDM EN ISO 1629
8	Spindle nut	Brass EN 1982
9	Spindle	Stainless Steel 1.4021 EN 10088-1
10	Body-bonnet gasket	Rubber EPDM EN ISO 1629
11	O-ring	Rubber EPDM EN ISO 1629
12	O-ring	Rubber EPDM EN ISO 1629
13	Screw	Steel Fe/Zn5, stainless steel Acc. to EN ISO 4762
14	Screw stopper	Wax
15	Washer	Polyamide PA6 EN ISO 1874-1

DN	Dz	L	H	S	Weight
[mm]					[kg]
50	63	250	220	14	8
80	90	280	290	17	14
100	110	300	325	19	22
150	160	350	475	19	39
200	225	400	534	24	65

- other material variants on special request

We reserve the rights to modify the production program and the given data without separate notices due to the permanent company development.

Gate valve
soft seated with PE pipe ends

PN16

WATER

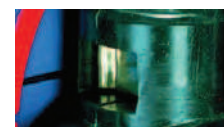


Gate valve DN100



Packing cork protected against unscrewing and fully covered by additional cleaning gasket

Horizontal and vertical double spindle bearing



Replaceable wedge nut



Application of low friction sliding element

Product description (standard execution):

- Body bonnet and wedge made of ductile cast iron EN-GJS 400-15
- Full bore gate valve
- NBR/EPDM fully vulcanised wedge
- Application of low friction sliding element
- Forged replaceable wedge nut made of brass
- Stainless steel spindle with rolled thread
- Low friction double spindle bearing both horizontal and vertical way
- O-ring spindle sealing packing cork protected against medium
- Under pressure replaceable packing cork
- Forged packing cork protected against unscrewing
- Packing cork protected against dirt penetration
- Body bonnet Zinc coated screws protected by wax
- Epoxy coating minimum 250 microns according to EN ISO 12944-5
- Article according to EN 1074-1 | 2; EN 1171
- End connectors made of PE pipe
- The PE pipe end connectors enables direct welding into PE pipes
- PE/Steel connection sealed with a plastic shrink hose ring
- Product marking according to EN 19; EN 1074

Application:

Water networks and tanks. Transport of non aggressive liquids.
Working conditions:
temp. up +40°C
pressure up to 1,6 MPa

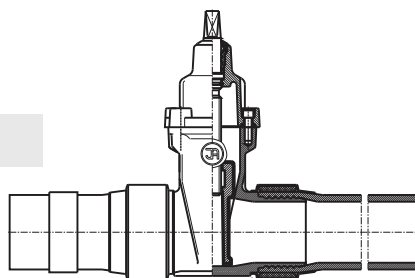
Execution variant:

SS body and bonnet screws
Connectors adapted for PE pipes PE100 SDR17
With Protegol coating

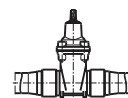
Test control:

Hydraulic test according to EN 1074-1; EN 1074-2; EN 12266-1
Seat: 1,1 x PN
Body: 1,5 x PN
Operation torque test.

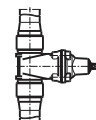
Installation:



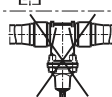
Recommended



Acceptable

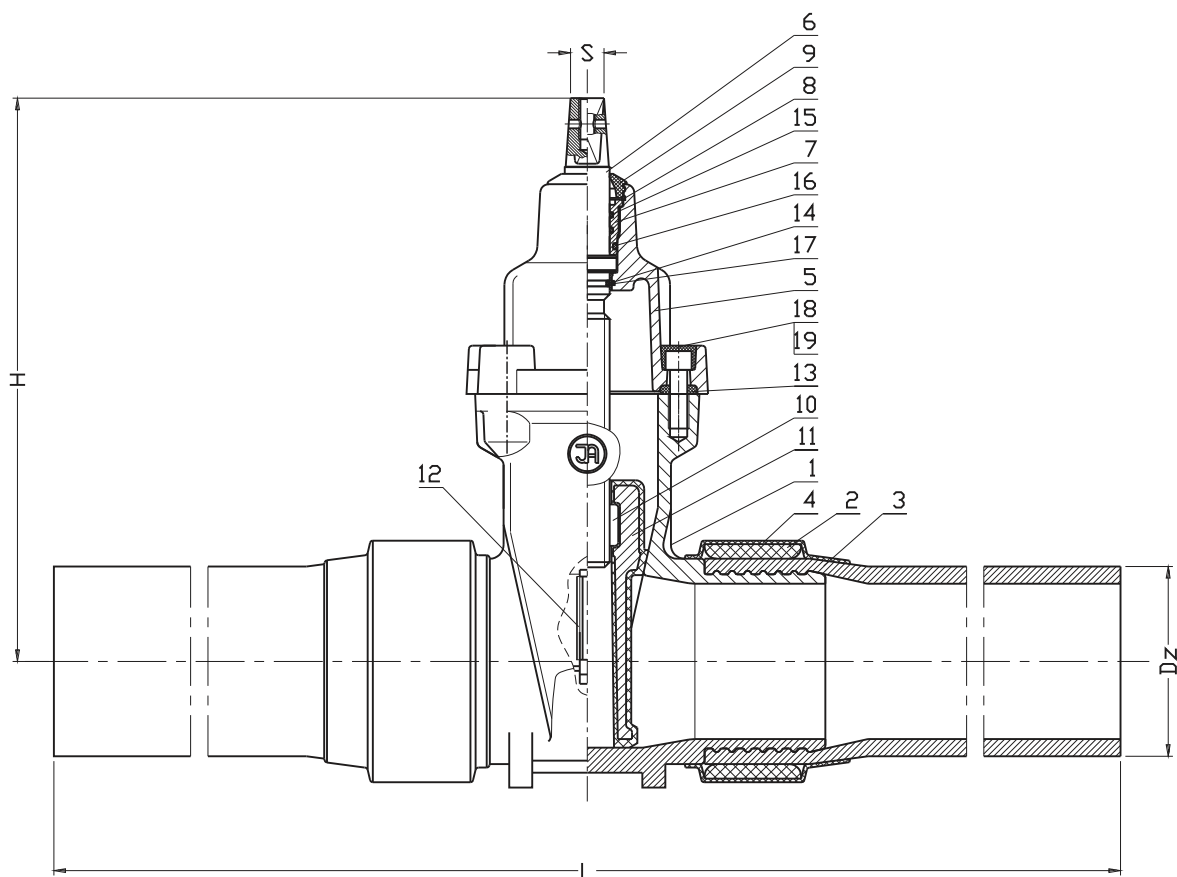


Not acceptable



Accessories:

- Extension spindle - see: 9010, 9011
- Pillar with handwheel - see: 9113
- Pillar for electric actuator - see: 9114
- Handwheel - see: 9301
- Street box - see: 9501, 9509



DN	H	Dz	L	S	Turn for full open	Weight
[mm]						[kg]
25	130	32	800	12	7,5	4
32	145	40	800	12	9	5
40	220	50	850	14	11	6
50	230	63	850	14	13,5	11
65	265	75	860	17	14	13
80	290	90	860	17	17	21
100	325	110	900	19	21	24
125	365	125	1100	19	26	33
150	457	160	1100	19	26	49
150	457	180	1100	19	26	52
200	534	200	1100	24	34,5	76
200	534	225	1100	24	34,5	80
250	633	250	1200	27	42,5	102
250	633	280	1200	27	42,5	110
300	708	315	1300	27	51	150

No.	Part	Standard execution
1	Body	Ductile cast iron EN-GJS 400-15 EN 1563
2	Clamping ring	Steel 1.0037 EN 10025-2
3	PE pipe ends	PE 100 SDR 11 EN 1555-2
4	Shrink hose	Plastic
5	Bonnet	Ductile cast iron EN-GJS 400-15 EN 1563
6	Spindle	Steel 1.4021 EN 10088-1
7	Packing cork	Brass EN 1982
8	Protection ring	Steel 1.1260 EN-74/H-84032
9	Cleaning gasket	Rubber EPDM or NBR EN ISO 1629
10	Spindle nut	Brass EN 1982
11	Wedge	Brass PN-EN 1982:2010 (DN25-32) Ductile cast iron (DN40-DN300) EN-GJS 400-15 EN 1563 Rubber EPDM / NBR: EN ISO 1629
12	Wedge slider	Poly amide EN ISO 1874-1
13	Body-bonnet gasket	Rubber EPDM or NBR EN ISO 1629
14-17	O-ring	Rubber EPDM or NBR EN ISO 1629
18	Screw	Steel Fe/Zn5 stainless steel EN ISO 4762
19	Screw stopper	Wax

- other material variants on special request

We reserve the rights to modify the production program and the given data without separate notices due to the permanent company development.

**Resilient seated gate valve
with spigot ends**

PN10
PN16

SEWAGE

WATER



Gate valve DN50



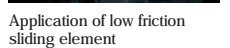
Packing cork protected against unscrewing and fully covered by additional cleaning gasket



Horizontal and vertical double spindle bearing



Replaceable wedge nut



Application of low friction sliding element

Product description (standard execution):

- Easy installation with sockets cast-iron pipes
- Body bonnet and wedge made of ductile cast iron EN-GJS 400-15
- Full bore gate valve
- NBR/EPDM fully vulcanised wedge
- Wedge nut made of forged brass - replaceable
- Application of low friction sliding element
- Stainless steel spindle with rolled thread
- Low friction double spindle bearing acting both horizontal and vertical way
- O-ring spindle sealing packing cork protected against contact with medium
- Under pressure replaceable packing cork
- Forged packing cork protected against unscrewing
- Packing cork protected against dirt penetration
- Body bonnet Zinc coated screws protected by wax
- Epoxy coating minimum 250 microns according to EN ISO 12944-5
- Product according to EN 1074-1 and 2; EN 1171
- Face to face according to producer documentation JAFAR
- Product marking according to EN 19; EN 1074

Application:

Water and sewage networks and tanks. Transport of non aggressive liquids.
Working conditions:
temp. up +70°C
pressure up to 1,6 MPa

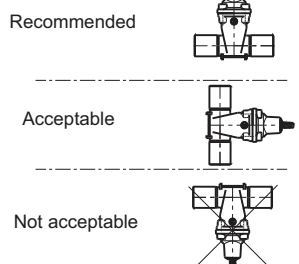
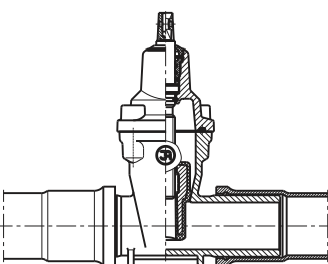
Execution variant:

Ductile cast iron EN-GJS 500-7
SS body and bonnet screws
With ISO top flange for actuator
With electric or pneumatic actuator - see.: 2901 2902 2903 2911
With inductive or electromechanical sensor
With opening indicator
Other material variants on request!

Test control:

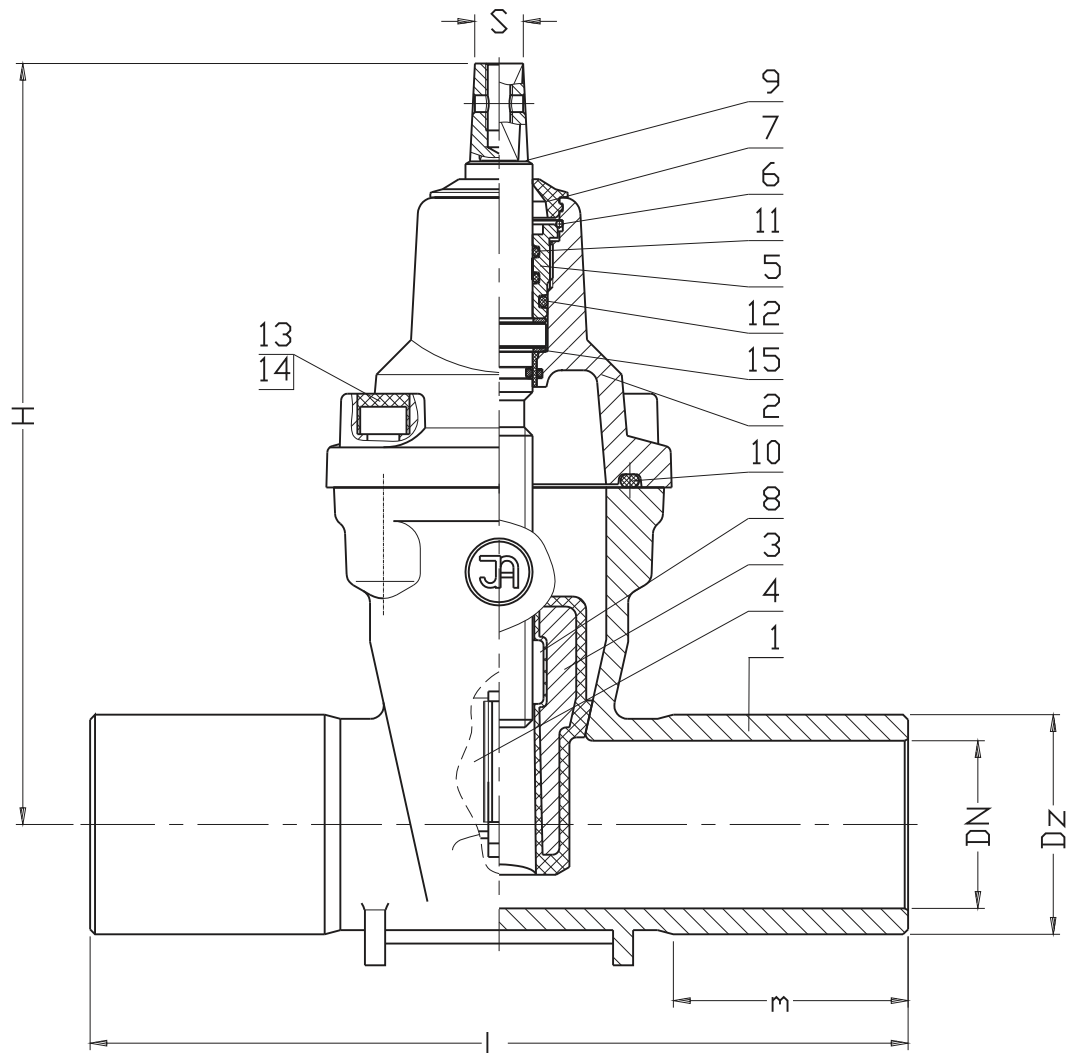
Hydraulic test according to EN 1074-1; EN 1074-2; EN 12266-1
Seat: 1,1 xPN
Body: 1,5 x PN
Operation torque test.

Installation:



Accessories:

- Extension spindle - see: 9010, 9011
- Pillar with handwheel - see: 9113
- Pillar for electric actuator - see: 9114
- Handwheel - see: 9301
- Street box - see: 9501 9509



DN	Dz	L	m	H	S	Weight
[mm]						[kg]
50	66	244	70	230	14	8
65	82	264	80	265	17	9
80	98	274	85	290	17	12
100	118	294	85	325	19	21
125	144	319	87	365	19	29
150	170	344	95	457	19	42
200	222	394	110	534	24	69
250	274	444	130	633	27	94
300	326	494	130	708	27	141

No.	Part	Standard execution
1	Body	Ductile cast iron EN-GJS-500-7 EN 1563
2	Bonnet	Ductile cast iron EN-GJS-500-7 EN 1563
3	Wedge	Ductile cast iron EN-GJS-500-7 EN 1563 Rubber EPDM P\EN ISO 1629
4	Wedge slider	Poly amide EN ISO 1874-1
5	Packing cork	Brass EN 1982
6	Protection ring	Steel 1.1260
7	Cleaning gasket	Rubber EPDM EN ISO 1629
8	Spindle nut	Brass EN 1982
9	Spindle	Stainless steel 1.4021 EN 10088-1
10	Body-bonnet gasket	Rubber EPDM EN ISO 1629
11	O-Ring	Rubber EPDM EN ISO 1629
13	Screw	Steel Fe/Zn5 stainless steel EN ISO 4762
14	Screw stopper	Wax
15	Washer	Poly amide PA6 EN ISO 1874-1

- other material variants on special request

We reserve the rights to modify the production program and the given data without separate notices due to the permanent company development.