

Underground hydrant
single closing

PN16

FIRE PREVENTION



8851.2
DN80



8851.3
DN80



8851.1
DN100

Product description (standard execution):

- Complete drainage after cut - off the flow
- Monolithic stand pipe made of ductile cast iron pipe DN80
- Stainless steel stem with rolled thread
- Forged packing cork protected against unscrewing
- EPDM fully vulcanized valve plug
- Initial opening < 3 turns; full opening after 8 turns
- MOT 80 Nm
- MST 250 Nm
- Corrosion resistant internal and external parts
- Epoxy coating minimum 250 microns according to EN ISO 12944-5
- Resistant against disinfectants (suggested solution NaOCl)
- Flange connection and connector according to EN 1092-2 (DIN 2501) pressure PN10; PN16
- Bayonet socket according to DIN 3221 "C"
- Working pressure PN16
- Product according to EN 1074-1 and 6; EN 14384 TYPE C
- Product marking according to EN 19; EN 1074

Application:

Potable water lines; fire prevention systems temperature range to +50°C

Test control:

Water pressure test according to EN 1074-1; EN 1074-2; EN 12266-1
Seat: 1,1 x PN
Body: 1,5 x PN
Operation torque test

Accessories:

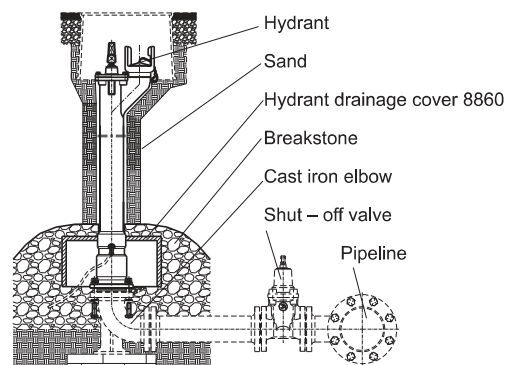
Street box for hydrant - see: 9502-PEHD-GJL
Hydrant drainage cover - see: 8860

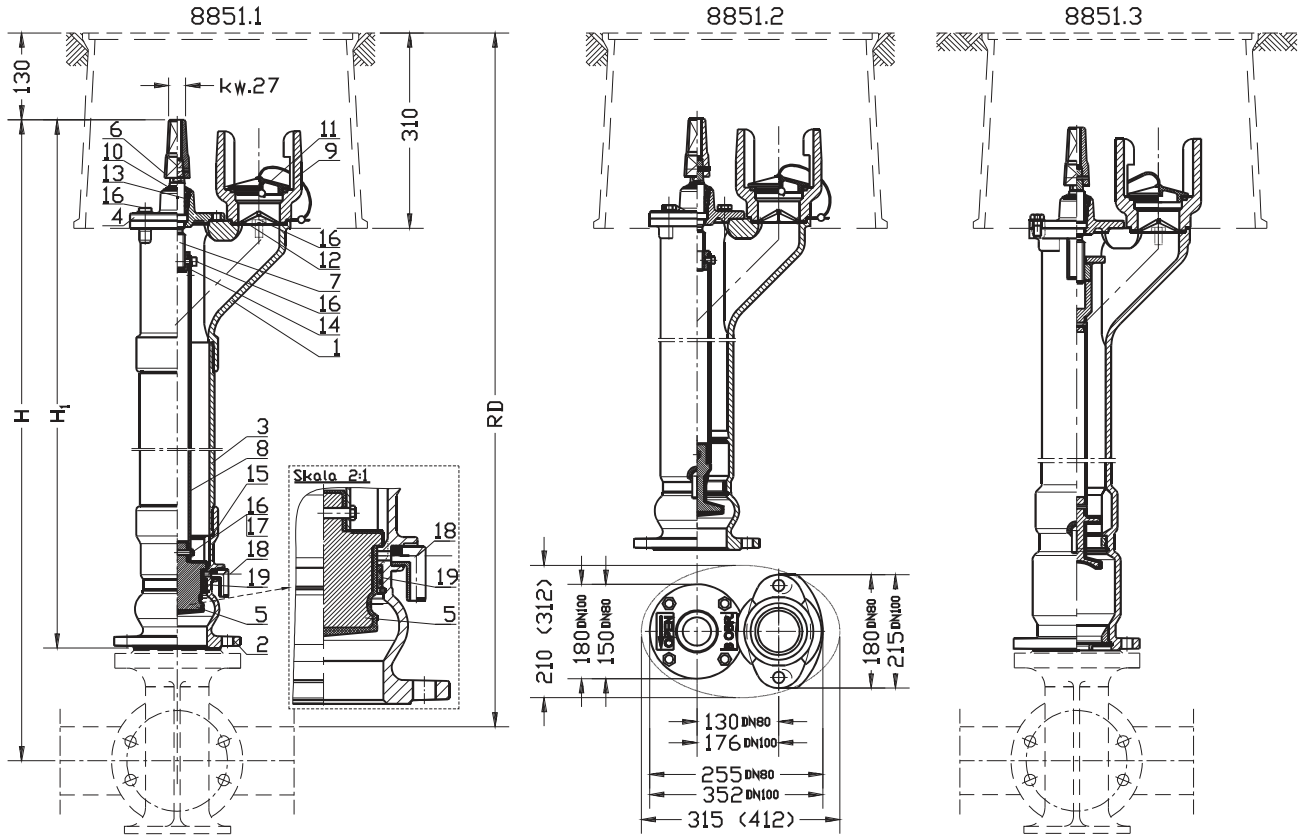
Execution variant:

Stainless steel stand pipe 1.4301

Installation:

In vertical position on horizontal pipelines





DN	RD	H	H ₁	Weight [kg]		
				8851.1	8851.2	8851.3
[mm]						
80	750	665	500	-	30,0	-
	1000	915	750	-	34,0	-
	1250	1165	1000	-	39,0	44,0
	1500	1415	1250	-	45,0	52,0
	1800	1715	1500	-	-	-
100	1000	935	750	50,0	-	-
	1250	1185	1000	56,0	-	-
	1500	1435	1250	62,0	-	-
	1800	1735	1500	70,0	-	-

No.	Part	Standard execution
1	Head	Ductile cast iron EN-GJS-400-15; EN-GJS-500-7 EN 1563
2	Bottom body	Ductile cast iron EN-GJS-400-15; EN-GJS-500-7; EN 1563
3	Stand pipe	Ductile cast iron EN-GJS-400-15; EN-GJS-500-7; Steel 1.0254; EN 1563; EN 1503-1
4	Bonnet	Ductile cast iron EN-GJS 400-15, EN-GJS 500-7 EN 1563
5	Valve plug	Ductile cast iron EN-GJS-400-15; EN-GJS-500-7/EPDM EN 1563 / EN-ISO 1629
6	Cap	Ductile cast iron EN-GJS 400-15, EN-GJS 500-7 EN 1563
7	Stem	Stainless steel 1.4021 EN 10088-1
8	Spindle	Steel 1.0254; EN 10088-1 Stainless steel 1.4021; EN 10088-1
9	Bayonet socket	Ductile cast iron EN-GJS-400-15; EN-GJS-500-7; EN 1563
10	Gasket	Rubber EPDM EN-ISO 1629
11	Outlet gasket	Rubber EPDM EN-ISO 1629
12	Deflector	Rubber EPDM EN-ISO 1629
13	Gland seal	Brass CuZn39Pb1Al-B EN 1982
14	Stem nut	Brass CuZn39Pb1Al-B EN 1982
15	O-ring gasket	Rubber EPDM EN-ISO 1629
16	Screw	Steel Fe/Zn5; Stainless steel A2 EN ISO 4017; EN ISO 4762
17	Nut	Steel Fe/Zn5; Stainless steel A4 EN ISO 4032
18	Dehydrator	Polypropylene PP EN ISO 1873-1
19	Socket	Brass CuZn39Pb1Al-B EN 1982

- other material variants on special request

We reserve the rights to modify the production program and the given data without separate notices due to the permanent company development