

Pillar type fire hydrant
single closing

PN16

**FIRE
PREVENTION**



VERSION

8855.1
DN80

Product description (standard execution):

- Complete drainage after cut - off the flow
- Stainless steel stem with rolled thread
- O-ring stem sealing, packing cork protected against medium
- Forged packing cork protected against unscrewing
- EPDM fully vulcanized valve plug
- Coat of arms place
- Initial opening < 3 turns; full opening after 8 turns
- MOT 80 Nm
- MST 250 Nm
- Corrosion resistant internal and external parts
- Stand pipe made of ductile cast iron pipe (coated with zinc)
- UV resistant epoxy coating minimum 250 microns according to EN ISO 12944-5
- Resistant against disinfectants (suggested solution NaOCl)
- Flange connection and connector according to EN 1092-2 (DIN 2501) pressure PN10; PN16
- Outlet connector 2xB 75 according to DIN 14318
- Outlet connector 1xA 110 according to DIN 14319
- Control key according to 89/M – 74088
- Working pressure PN16
- Product according to EN 1074-1 and 6; EN 14384 TYPE C
- Product marking according to EN 19; EN 1074

Application:

Potable water lines; fire prevention systems temperature range to +50°C

Test control:

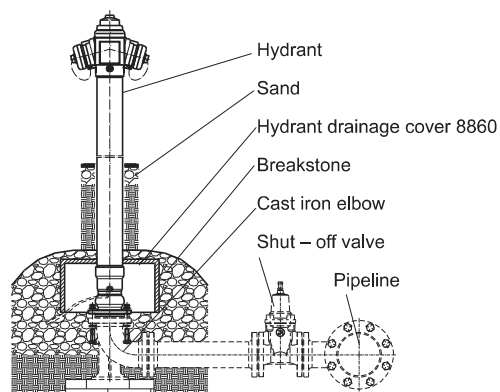
Water pressure test according to EN 1074-1; EN 1074-2; EN 12266-1
Seat: 1,1 xPN
Body: 1,5 x PN
Operation torque test

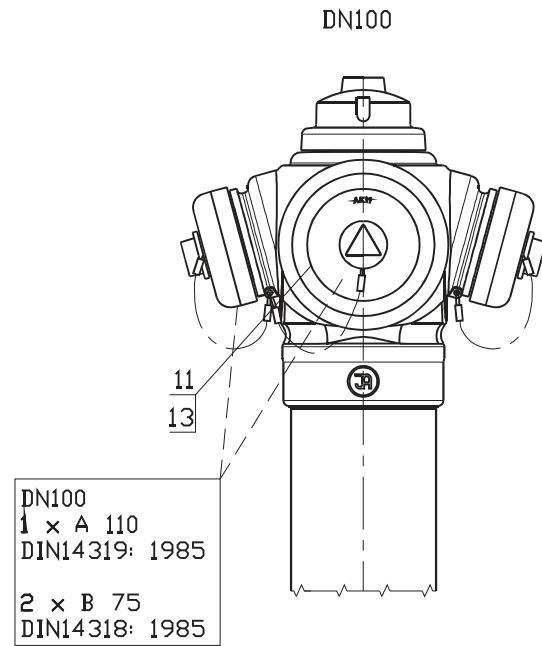
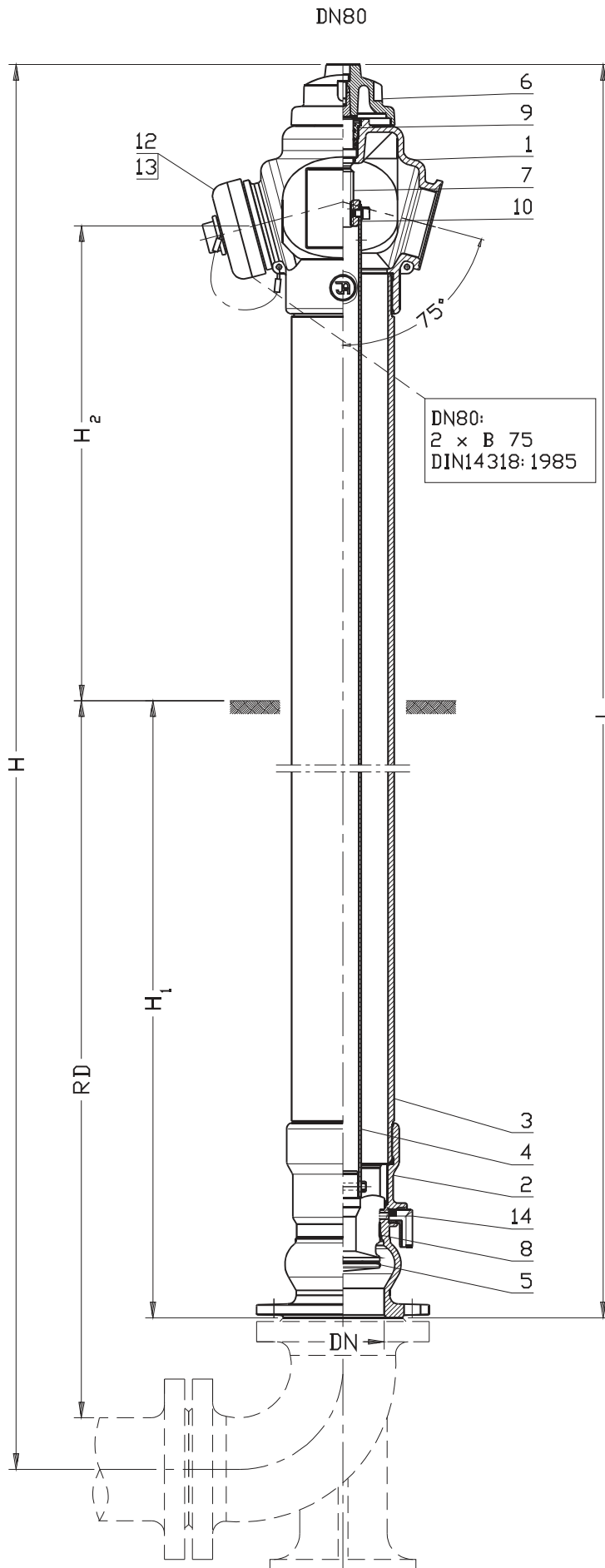
Accessories:

Hydrant drainage cover - see: 8860

Installation:

In vertical position on horizontal pipelines





DN	RD	L	H	H ₁	H ₂	Weight
						[kg]
80	1000	1640	1805	880	565	48,0
	1250	1890	2055	1130		50,0
	1500	2140	2305	1380		59,0
	1800	2440	2605	1680		60,0
100	1250	1900	2080	1130	565	68,0
	1500	2150	2330	1380		73,0
	1800	2450	2630	1680		78,0

No.	Part	Standard execution
1	Head	Grey iron EN-GJL-250; EN 1561; Ductile cast iron EN-GJS 400-15; EN-GJS 500-7; EN 1563
2	Bottom body	Ductile cast iron EN-GJS 400-15 EN-GJS 500-7; EN 1563; Steel 1.0254; EN 10216-1
3	Stand pipe	Ductile cast iron EN-GJS 400-15 EN-GJS 500-7; EN 1563; Steel 1.0254; EN 10216-1
4	Spindle	Steel R45; EN 10088-1; Stainless steel 1.4301; EN 10088-1
5	Valve plug	Ductile cast iron EN-GJS 400-15 / EPDM; EN 1563 / EN-ISO 1629
6	Cap	Ductile cast iron EN-GJS 400-15; EN-GJS 500-7; EN 1563
7	Stem	Stainless steel 1.4021 EN 10088-1
8	Socket	Bronze CuAl7 EN-ISO 24373
9	Gland seal	Brass CuZn39Pb1Al-B EN 1982
10	Stem nut	Brass CuZn39Pb1Al-B EN 1982
11	Outlet connector A	Aluminium AlSi EN 1706
12	Outlet connector B	Aluminium AlSi EN 1706
13	Outlet connector cover	Ductile cast iron EN-GJS 400-15; EN-GJS 500-7; EN 1563 Aluminium AlSi; EN 1706
14	Dehydrator	Polipropylene PP EN ISO 1873-1

- other material variants on special request