

**Pillar type fire hydrant Vintage design  
double closing**

**PN16**

**FIRE  
PREVENTION**



- **BREAKAGE PROTECTED**
- **MONOLITHIC HEAD WITH OUTLET CONNECTORS**
- **ROTATING HEAD 0° TO 360°**

### Product description (standard execution):

- Decorative, vintage design
- Complete drainage after full cut - off the flow
- Stainless steel stem with rolled thread
- O-ring stem sealing, packing cork protected against medium
- Forged packing cork protected against unscrewing
- EPDM fully vulcanized valve plug
- Coat of arms place
- Initial opening < 3 turns; full opening after 8 turns
- MOT 80 Nm
- MST 250 Nm
- Corrosion resistant internal and external parts
- Stand pipe made of ductile cast iron pipe (coated with zinc)
- UV resistant epoxy coating minimum 250 microns according to EN ISO 12944-5
- Resistant against disinfectants (suggested solution NaOCl)
- Flange connection and connector according to EN 1092-2 (DIN 2501) pressure PN10; PN16
- Outlet connector 2xB 75 according to DIN 14318
- Control key according to 89/M – 74088
- Working pressure PN16
- Product according to EN 1074-1 and 6; EN 14384 TYPE C
- Product marking according to EN 19; EN 1074

### Application:

Potable water lines; fire prevention systems temperature range to +50°C

### Test control:

Water pressure test according to EN 1074-1; EN 1074-2; EN 12266-1  
 Seat: 1,1 x PN  
 Body: 1,5 x PN  
 Operation torque test

### Accessories:

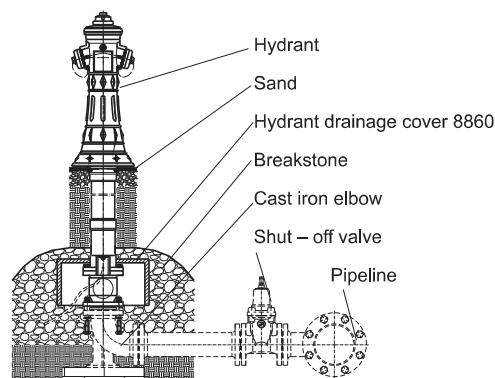
Hydrant drainage cover - see: 8860

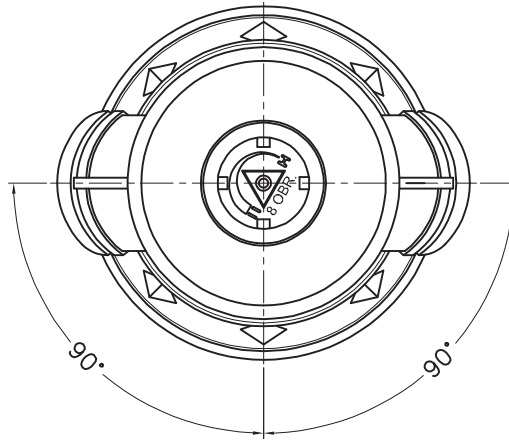
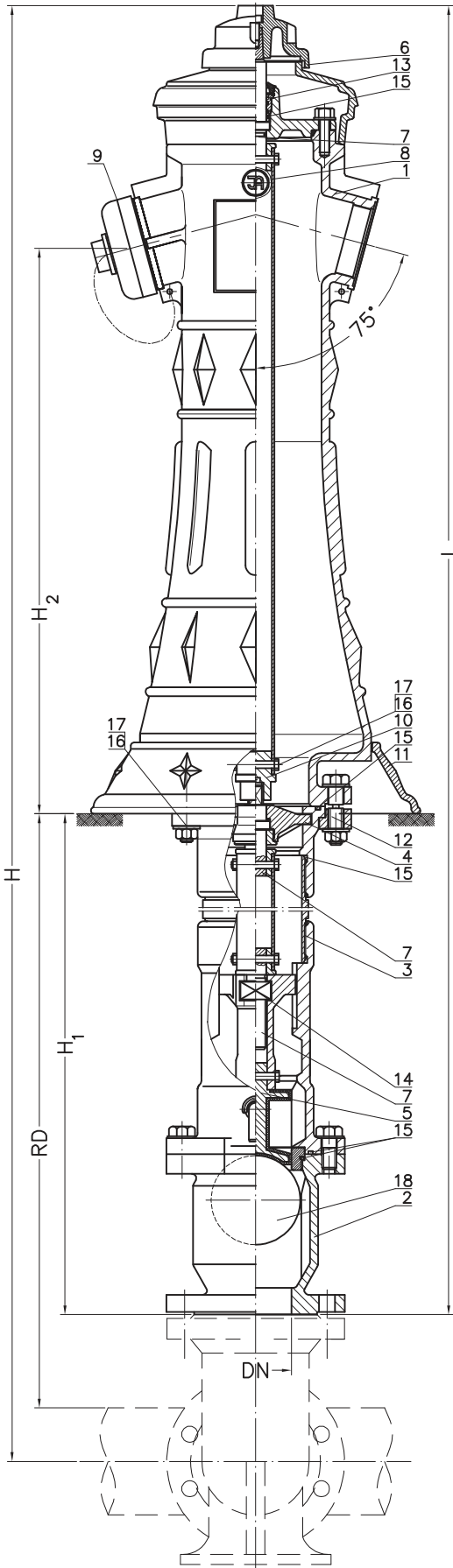
### Execution variant:

Self-leveling version  
 Tap pipe made of stainless steel 1.4301

### Installation:

In vertical position on horizontal pipelines





DN	RD	L	H	H <sub>1</sub>	H <sub>2</sub>	Weight
[mm]						[kg]
80	1250	2050	2205	1130	640	107,0
	1500	2300	2455	1380		113,0
	1800	2600	2755	1680		119,0

No.	Part	Standard execution
1	Head	Ductile cast iron EN-GJS 400-15; EN-GJS 500-7; EN 1563
2	Ball chamber	Ductile cast iron EN-GJS 400-15; EN-GJS 500-7; EN 1563
3	Stand pipe	Ductile cast iron EN-GJS 400-15; EN-GJS 500-7 (Steel 1.0254; Stainless steel 1.4301) EN 1503-3
4	Mounted stem	Ductile cast iron EN-GJS 400-15; EN-GJS 500-7; EN 1563
5	Valve plug	Ductile cast iron EN-GJS 400-15 EN-GJS 500-7 / EPDM; EN 1563 / EN-ISO 1629
6	Cap	Ductile cast iron EN-GJS-400-15; EN-GJS-500-7; EN 1563
7	Stem	Stainless steel 1.4021 EN 10088-1
8	Spindle	Stainless steel 1.4301 EN 10088-1
9	Outlet connector	Aluminium AISi EN 1706
10	Coupling	Ductile cast iron EN-GJS 400-15; EN-GJS 500-7; EN 1563
11	Ring	Grey iron EN-GJL 250; EN 1561 Ductile cast iron EN-GJS 500-7; EN 1563
12	Bottom flange	Ductile cast iron EN-GJS 400-15; EN-GJS 500-7; EN 1563
13	Gland seal	Brass CuZn39Pb1Al-B EN 1982
14	Stem nut	Brass CuZn39Pb1Al-B EN 1982
15	O – ring gasket	Rubber EPDM EN-ISO 1629
16	Screw	Stainless steel A2 EN ISO 4017; EN ISO 4762
17	Nut	Stainless steel A4 EN ISO 4032
18	Ball	Polipropylene or aluminium AISi / rubber EPDM EN 1706 / EN-ISO 1629

- other material variants on special request