

Pillar type fire hydrant
double closing

PN16

FIRE PREVENTION



- **BREAKAGE PROTECTED**
- **MONOLITHIC HEAD WITH OUTLET CONNECTORS**
- **ROTATING HEAD 0° TO 360°**

Product description (standard execution):

- Complete drainage after full cut - off the flow
- Replaceable head - without closing the valve
- Stainless steel stem with rolled thread
- O-ring stem sealing, packing cork protected against medium
- Forged packing cork protected against unscrewing
- EPDM fully vulcanized valve plug
- Coat of arms place
- Initial opening < 3 turns; full opening after 8 turns
- MOT 80 Nm
- MST 250 Nm
- Corrosion resistant internal and external parts
- Stand pipe made of ductile cast iron pipe (coated with zinc)
- UV resistant epoxy coating minimum 250 microns according to EN ISO 12944-5
- Resistant against disinfectants (suggested solution NaOCl)
- Flange connection and connector according EN 1092-2 (DIN 2501) pressure PN10; PN16
- Outlet connector 2xB 75 according to DIN 14318
- Outlet connector 1xA 110 according to DIN 14319
- Control key according to 89/M – 74088
- Working pressure PN16
- Product according to EN 1074-1 and 6; EN 14384 TYPE C
- Product marking according to EN 19; EN 1074

Application:

Potable water lines; fire prevention systems temperature range to +50°C

Test control:

Water pressure test according to EN 1074-1; EN 1074-2; EN 12266-1
 Seat: 1,1 x PN
 Body: 1,5 x PN
 Operation torque test

Accessories:

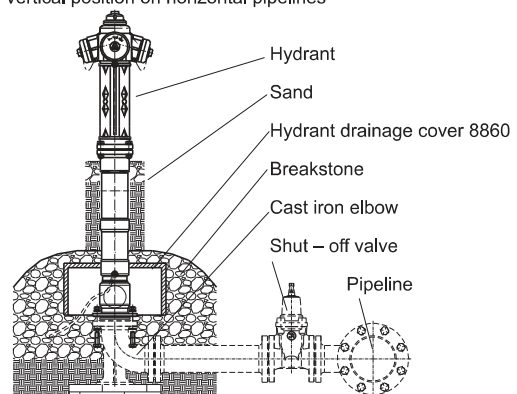
Hydrant drainage cover - see: 8860

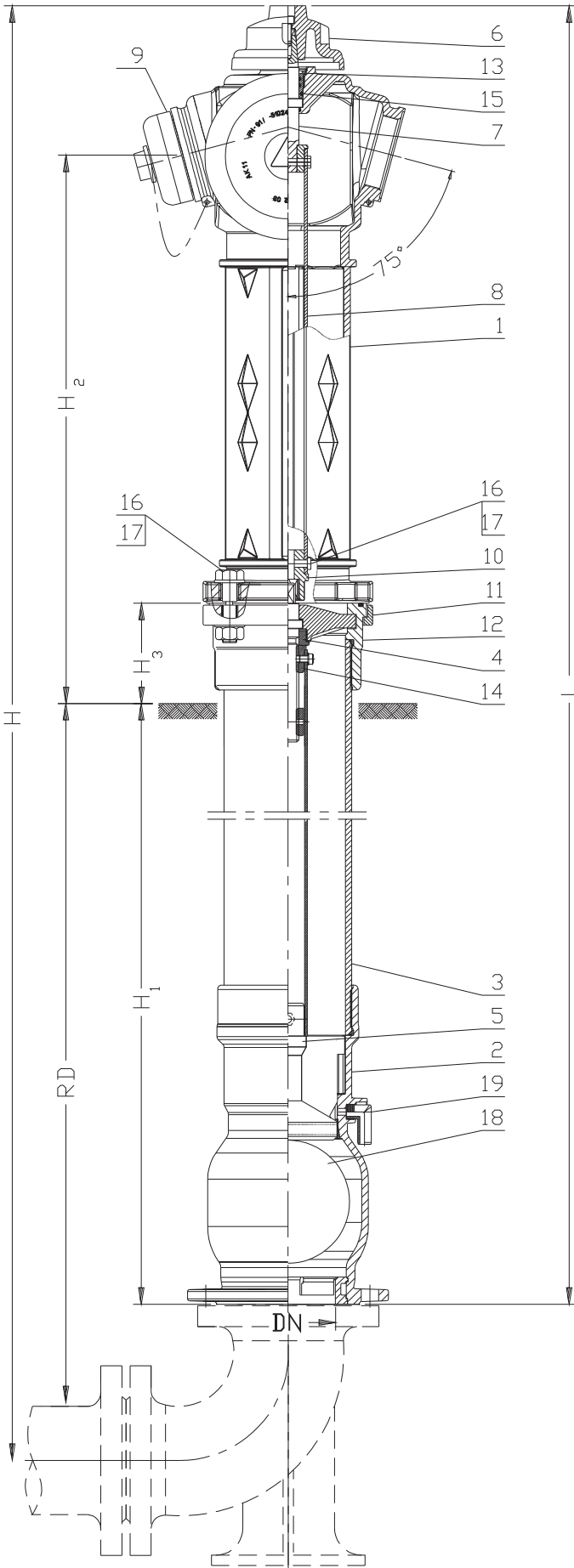
Execution variant:

Self-leveling version
 Tap pipe made of stainless steel 1.4301

Installation:

In vertical position on horizontal pipelines





DN	RD	L	H	H ₁	H ₂	H ₃	Weight
[mm]							[kg]
100	1250	1890	2075	1125	600	110	85,0
	1500	2140	2325	1375			90,0
	1800	2440	2625	1675			96,0

No.	Part	Standard execution
1	Head	Ductile cast iron EN-GJS 400-15; EN-GJS 500-7; EN 1563
2	Ball chamber	Ductile cast iron EN-GJS 400-15; EN-GJS 500-7; EN 1563
3	Stand pipe	Ductile cast iron EN-GJS 400-15; EN-GJS 500-7 (Steel 1.0254; Stainless steel 1.4301) EN 1503-3
4	Spindle	Stainless steel 1.4301 EN 10088-1
5	Valve plug	Ductile cast iron EN-GJS 400-15 / EPDM; EN 1563 / EN-ISO 1629
6	Cap	Ductile cast iron EN-GJS 400-15; EN-GJS 500-7; EN 1563
7	Coupling	Ductile cast iron EN-GJS 400-15; EN-GJS 500-7 EN 1563
8	Rotary flange pressure	Ductile cast iron EN-GJS 400-15; EN-GJS 500-7; EN 1563
9	Bracket	Ductile cast iron EN-GJS 400-15; EN-GJS 500-7; EN 1563
10	Rotary flange	Ductile cast iron EN-GJS 400-15; EN-GJS 500-7; EN 1563
11	Stem	Stainless steel 1.4021 EN 10088-1
12	Socket	Bronze CuAl7 EN-ISO 24373
13	Gland seal	Brass CuZn39Pb1Al-B EN 1982
14	Stem nut	Brass CuZn39Pb1Al-B EN 1982
15	Ball blockade	Poly ethy lenen PE EN ISO 1873-1
16	Ball	Polipropylene or aluminium AISi / rubber EPDM EN 1706 / EN ISO 1629
17	Outlet connector A	Aluminium AISi EN 1706
18	Outlet connector B	Aluminium AISi EN 1706
19	Outlet connector cover	Ductile cast iron EN-GJS 400-15; EN-GJS 500-7; EN 1563
20	Dehydrator	Polipropylene PP EN ISO 1873-1

- other material variants on special request