

Connectors
for water line networks

PN16

WATER



Connectors 3150



Connectors 3160



Connectors 3151

Product description (standard execution):

- Body made of ductile cast iron EN-GJS 400-15
- Full bore
- Rubber gasket sealing between tube and connector body
- Fig 3150 (with 2 stainless steel screws) for PE and PVC pipes
- Fig 3160 (with 4 stainless steel screws) for PE and PVC pipes
- Article according to EN 1074-1 and 2
- Face to face according to the producer documentation JAFAR
- Thread connection 2" according to EN 10226-1. Working pressure PN10 and PN16
- Epoxy coating minimum 250 microns according to EN ISO 12944-5
- Product marking according to EN 19; EN 1074

Application:

Water and sewage networks and tanks. Transport of non aggressive liquids.
Working conditions:
temp. up +70 °C
pressure up to 1,6 MPa

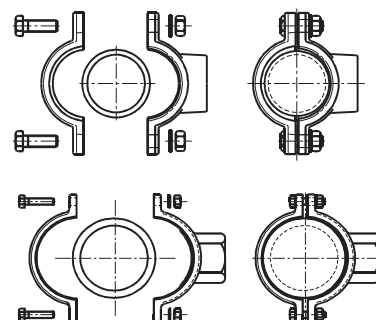
Test control:

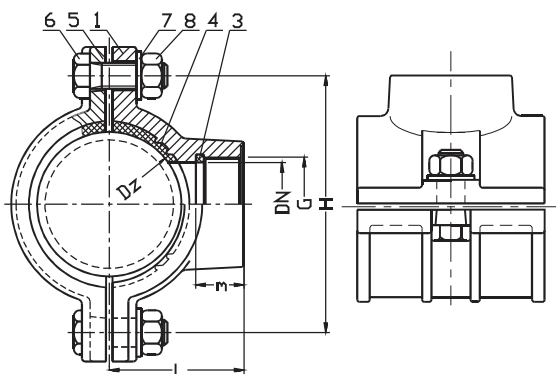
Water pressure test according to EN 1074-1; EN 1074-2;
EN 12266-1
Body: 1,5 x PN

Execution variant:

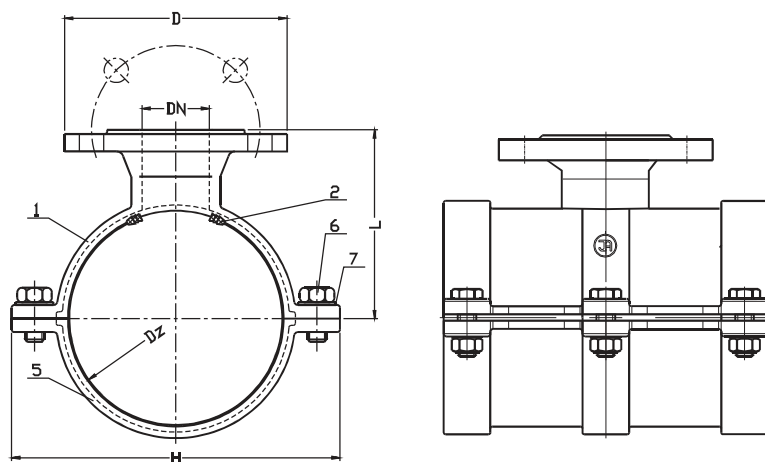
Ductile cast iron EN-GJS 500-7
Stainless steel screws

Installation:





DN	G	Dz	m	L	H	Weight	Quantity
[mm]	[cal]	[mm]			[kg]	[pcs]	
3150							
50	2"	40	63	70	132	3,5	2
			90	84	160	4,4	2
			110	94	180	5,0	2
			125	102	200	5,8	2
			160	122	225	6,8	2
			200	145	270	9,3	2
			225	154	300	10,4	2
			250	163	320	13,5	2
			280	176	340	14,2	2
315	196	370	16,7	2			
3160							
50	2"	40	90	87	135	2,6	4
			110	95	162	3,3	4
			125	112	178	4,1	4
			160	121	202	4,7	4
			180	141	230	5,2	4



No.	Part	Standard execution
3150, 3160, 3151		
1	Body	Ductile cast iron EN-GJS-400-15 EN 1563
2	Pipe gasket	Rubber EPDM EN ISO 1629
3	Pipe gasket	Rubber EPDM EN ISO 1629
4	Pipe gasket	Rubber EPDM EN ISO 1629
5	Connector	Ductile cast iron EN-GJS-400-15 EN 1563
6	Screw	Stainless steel A2 EN ISO 4014
7	Washer	Stainless steel A2 EN ISO 7091
8	Nut	Stainless steel A4 EN ISO 4032

- other material variants on special request

DN	Dz	H	L	D
[mm]				
3151				
50	63	129	140	165
50	75	141	140	165
50	90	161	145	165
50	110	189	140	165
80			170	200
50	125	204	160	165
80			170	200
50	140	219	160,0	165
80			170	200
100			180	220
50	160	239	170	165
80			200	200
100			205	220
50	180	259	195	165
80			225	200
100			230	220
50	200	279	195	165
80			225	200
100			230	220
50	219,1	298	195	165
80			225	200
100			230	220
50	225	304	205	165
80			225	200
100			230	220
50	250	345	250	165
80			250	200
100			255	220
150			265	185
50	280	376	260	165
80			265	200
100			270	220
150			280	285
50	315	411	290	165
80			295	200
100			300	220
150			310	285
50	400	496	340	165
80			350	200
100			360	220
150			370	285

We reserve the rights to modify the production program and the given data without separate notices due to the permanent company development.