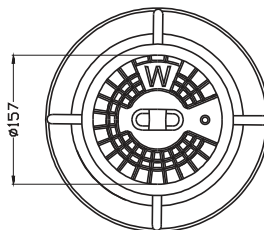
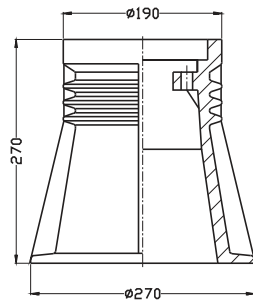


Street boxes

PN10
PN16

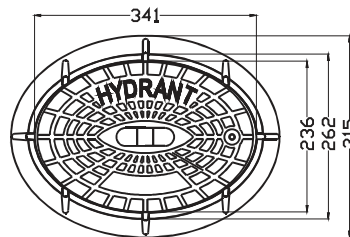
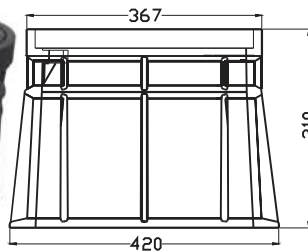
WATER

Box for gate valve; 9501-PEHD-GJL



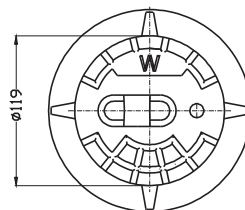
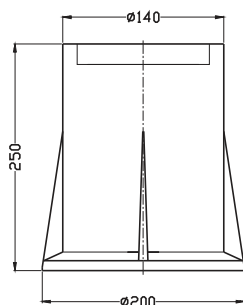
Material	Body PEHD
	Bonnet - Grey iron
Weight	4,0 [kg]
Comment	Dimension by DIN 4056
	Marking on the bonnet "W" EN M-74081

Box for hydrant; 9502-PEHD-GJL



Material	Body PEHD
	Bonnet - Grey iron
Weight	10,0 [kg]
Comment	Dimension by DIN 4055
	Marking on the bonnet HYDRANT EN M-74081

Box for house connectors; 9503-PEHD-GJL



Material	Body PEHD
	Bonnet - Grey iron
Weight	2,5 [kg]
Comment	Dimension by DIN 4057
	Marking on the bonnet W

Product description (standard execution):

- PEHD body - light weight
- No corrosion; longer service life; no maintenance
- Cover made of gray iron
- High resistance for load
- High positive and negative temperature resistant - frostproof
- Body design provides stable foundation in the ground
- Cover lifting eye

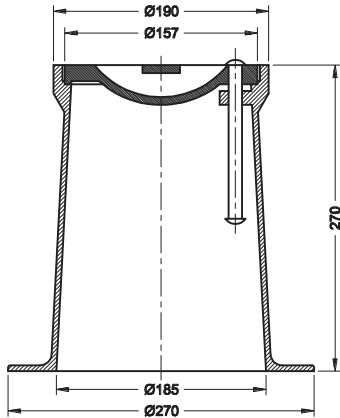
Application:

As an element of underground installation, intended to protect and enhance access to other accessories.

Versions:

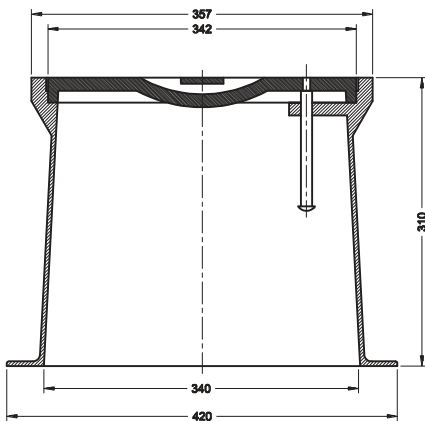
Stainless steel bolts
Ductile iron covers

Box for gate valve; 9501-GJL-GJL



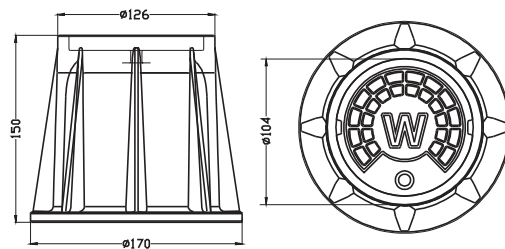
Box for hydrant TYP 4055
 Body - grey iron EN-GJL-250; EN 1561
 Civer - grey iron EN-GJL-250; EN 1561
 ductile cast iron EN-GJS 400-15; EN 1563
 cover marking "W"
 Weight: 30 kg
 Cover lifting eye
 Bitumen coating

Box for hydrant; 9502-GJL-GJL



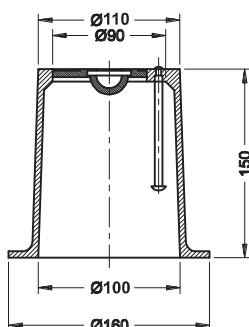
Box for hydrant TYP 4055
 Body - grey iron EN-GJL-250; EN 1561
 Civer - grey iron EN-GJL-250; EN 1561
 ductile cast iron EN-GJS 400-15; EN 1563
 cover marking "H"
 Weight: 30 kg
 Cover lifting eye
 Bitumen coating

Box for house connector; 9504-PEHD-GJL; 9504-PEHD-PEHD



Material	Body PEHD
	Bonnet - Grey iron/PEHD
Weight	1,5/2,0 [kg]
Comment	Marking on the bonnet W

Box for house connector H=150; 9504-GJL-GJL



Box for house connector
 Body - grey iron EN-GJL-250; EN 1561
 Cover - grey iron EN-GJL-250; EN 1561
 ductile cast iron EN-GJS 400-15; EN 1563
 Weight: 6 kg