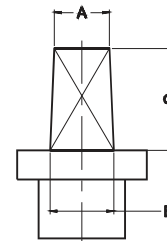
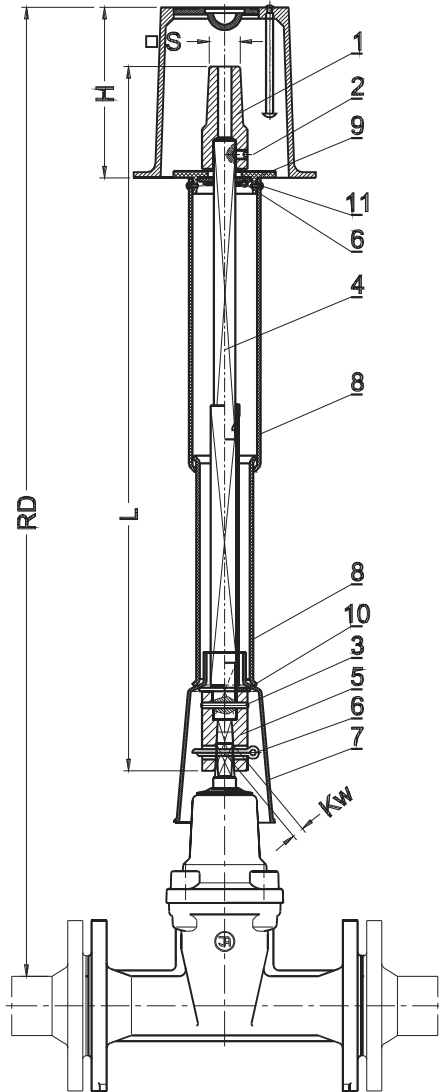


Telescopic extension spindle

SEWAGE

WATER



Cap dimensions:

A = 12 mm	S12
B = 15 mm	
C = 27 mm	
A = 27 mm	S27
B = 32 mm	
C = 50 mm	

No.	Part	Standard execution
1	Cap	Ductile cast iron EN-GJS 400-15 EN 1563
2	Screw	Steel Fe/Zn5; Stainless steel EN ISO 4017
3	Spring pin	Steel 60G; Stainless steel EN ISO 8752
4	Spindle	Galvanized steel Steel Fe/Zn5 EN 10025-2
5	Coupling	Ductile cast iron EN-GJS 400-15 EN 1563
6	Split cotter	Steel Fe/Zn5; Stainless steel EN ISO 1234
7	Pipe bell	Polyethylene PE EN ISO 1872-1
8	Casing liner	Polyethylene PE EN ISO 1872-1
9	Collar	Polyethylene PE EN ISO 1872-1
10	Thrust washer	Polyethylene PE EN ISO 1872-1
11	Set screw	Steel; Stainless Steel EN ISO 7053

- other material variants (like stainless steel 1.4301 or 1.4401) on special request

Product description (standard execution):

- Cap made of ductile cast iron EN-GJS-400-15
- The spindle tightly fitted into the square profile
- The coupling of ductile iron EN-GJS-400-15 mounted on the valve stem with the split cotter
- Casing liner cup pipe bell and thrust washer made of PE
- Pipe bell protects against pollution from the ground
- Height adjuster for setting casing at any height

Application:

Flexible and safe extension of the valve stem. Underground mounted

Accessories:

- With pillar handwheel see: 9113
- With pillar for electric actuator see: 9114
- With T-key see: 9015
- With street box see: 9501; 9502; 9503; 9504; 9509

TYP 9011		L [mm] / Weight [kg]			Remark
DN	K _w	RD 900-1300	RD 1300-1800	RD 2000-2500	
House connector valve	12	1000 / 2,6	1500 / 3,6	2000 / 3,9	H=150 Cap S12
25/32	12	1115 / 2,7	1615 / 3,4	2315 / 4,3	
40/50	14	1070 / 3,2	1570 / 3,2	2270 / 4,1	
40/50	14	-	1447 / 4,0	2147 / 4,8	
65	17	-	1398 / 3,9	2098 / 4,7	H=270 Cap S 27
80	17	-	1398 / 3,9	2098 / 4,7	
100	19	-	1371 / 3,8	2071 / 4,6	
125	19	-	1371 / 3,8	2071 / 4,6	
150	19	-	1289 / 3,7	1986 / 4,9	
200	24	-	1235 / 3,7	1935 / 4,6	
250	27	-	1166 / 3,6	1866 / 4,5	
300	27	-	1107 / 3,5	1807 / 4,4	
350	27	-	*1032 / 5,6	1735 / 8,4	
400	32	-	*858 / 4,7	1560 / 7,5	
500	36	-	-	1410 / 6,7	
600	36	-	-	1285 / 6,0	

* - dla DN350-DN400 RD=1500-1800

We reserve the rights to modify the production program and the given data without separate notices due to the permanent company development

Caulker

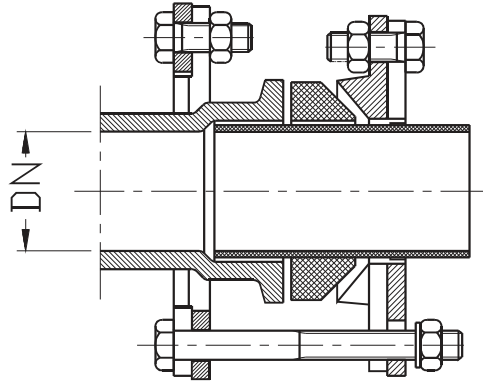
PN16

SEWAGE

WATER



Caulker 9101



Product description (standard execution):

- Made of ductile cast iron EN-GJS 500-7
- Galvanized screws
- Gasket: EPDM; NBR; EN-ISO 1629
- Epoxy coating minimum 250 microns according to EN ISO 12944-5

Application:

Water and sewage networks

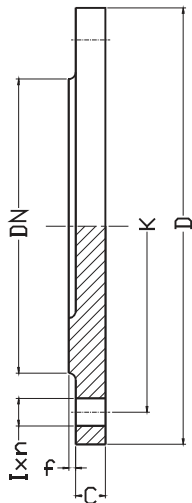
DN	Elements	Weight	DN	Elements	Weight
[mm]	[szt]	[kg]	[mm]	[szt]	[kg]
50	2x2	4,8	350	2x4	32,9
80	2x3	7,56	400	2x4	36,75
100	2x3	8,65	500	2x5	49,6
125	2x3	10,25	600	2x6	63,45
150	2x3	11,5	800	2x8	86,6
200	2x4	14,15	1000	2x9	112,7
250	2x4	19,85	1200	2x12	148,8
300	2x4	29,05	-	-	-

Blind flange X

PN16

SEWAGE

WATER



Blind flange 9219

Product description (standard execution):

- Made of ductile cast iron EN-GJS 500-7
- Epoxy coating minimum 250 microns according to EN ISO 12944-5

Application:

Water and sewage networks

DN	D	K PN16 (PN10)	I PN16 (PN10)	C	f	n PN16 (PN10)	Weight
[mm]						-	[kg]
50	165	125	18	19	3	4	3
80	200	160	18	19	3	8 (4)	4
100	220	180	18	19	3	8	4,5
150	285	240	22	19	3	8	8
200	340	295	22	20	3	12 (8)	11
250	405	355 (350)	26 (22)	22	3	12	17
300	460	410 (400)	26 (22)	24,5	4	12	26
400	580	525 (515)	30 (28)	28	4	16	41
500	715	650 (620)	34 (28)	31,5	4	20	65
600	840	770 (725)	36 (31)	36	5	20	100
800	910	950	43 (35)	43	5	24	207
1000	1255	1170 (1160)	50 (40)	50	5	28	360

We reserve the rights to modify the production program and the given data without separate notices due to the permanent company development